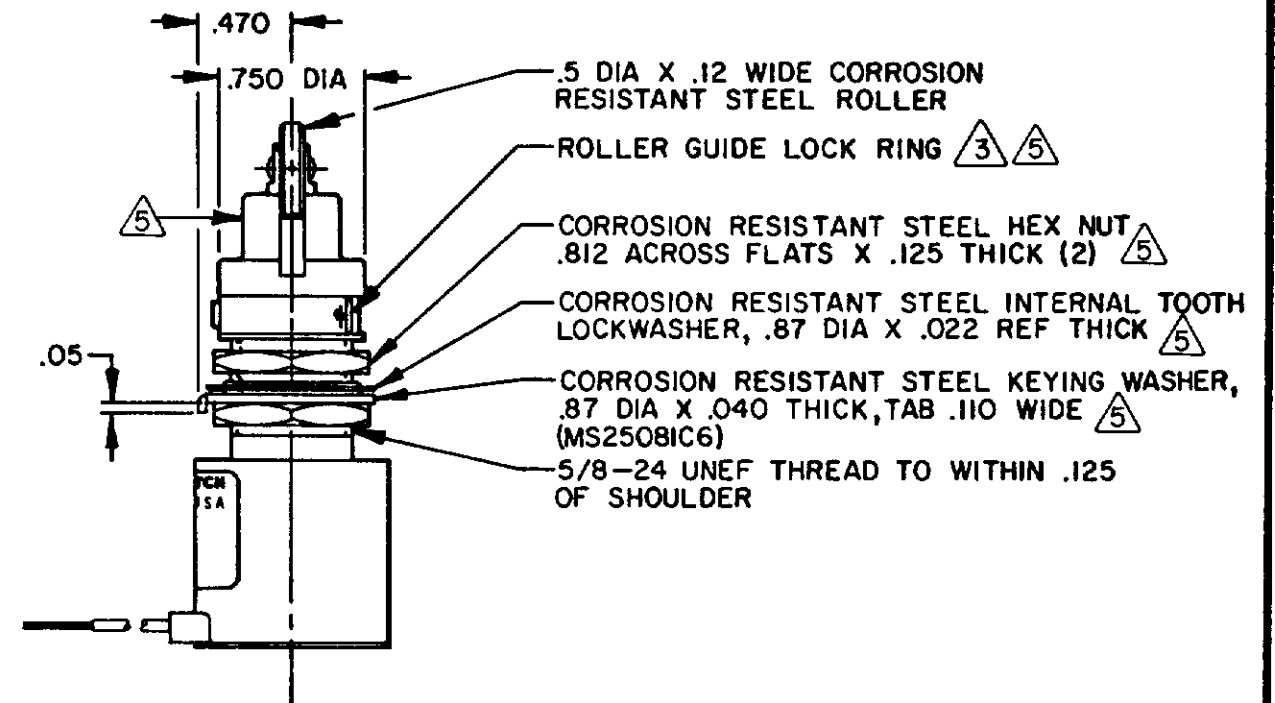
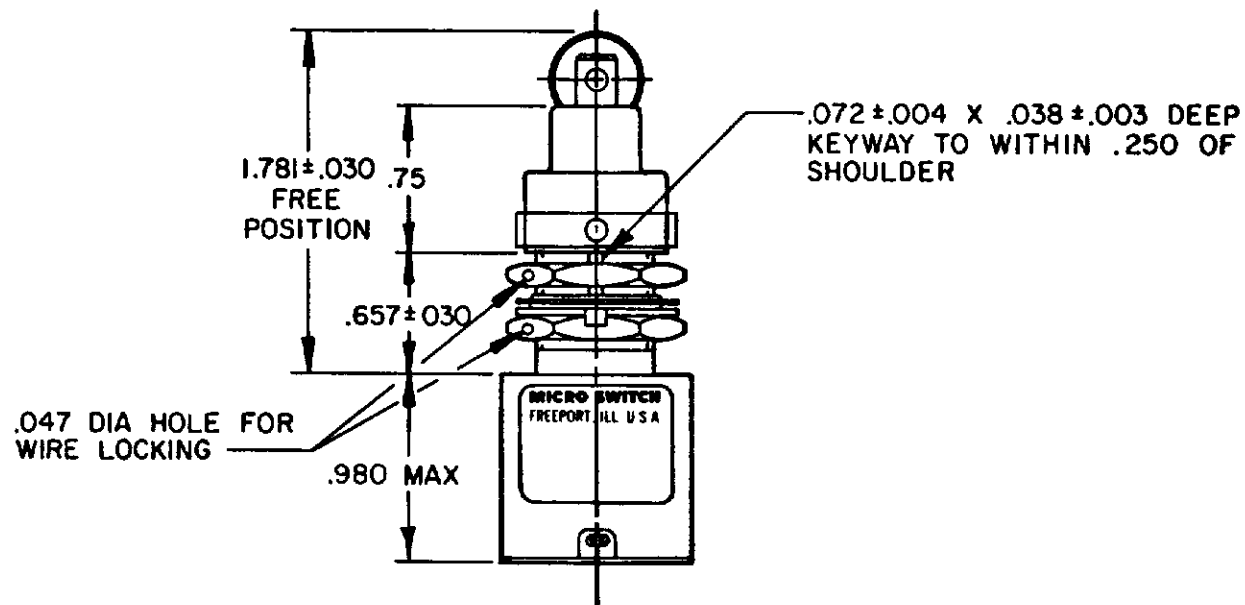
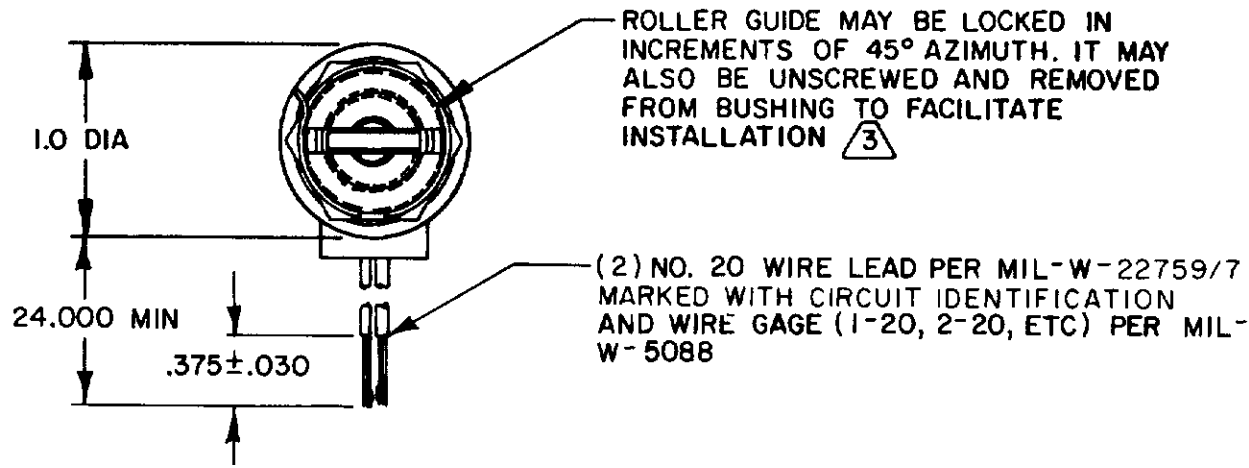
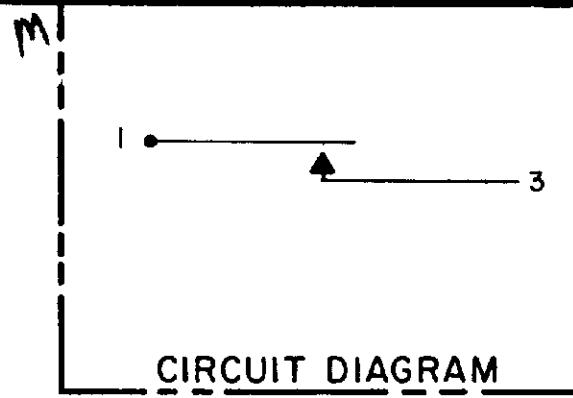


**MICRO SWITCH**  
 FREEPORT ILLINOIS U S A  
 A DIVISION OF HONEYWELL  
 FED MFG CODE 91929

**SWITCH - ENCLOSED**

CATALOG LISTING  
**21EN78-2**



- NOTES**
- 1 - CORROSION RESISTANT STEEL ENCLOSURE
  - 2 - SWITCH SEALED PER MIL-S-8805 SYMBOL 4
  - (3) TO ADJUST ROLLER DIRECTION, REMOVE ROLLER GUIDE LOCK RING, SCREW ROLLER GUIDE DOWN AS FAR AS POSSIBLE, THEN UNSCREW TO DESIRED DIRECTION. SECURE BY REPLACING ROLLER GUIDE LOCK RING
  - 4 - CIRCUIT DIAGRAM, CATALOG LISTING, AND DATE CODE ARE SHOWN ON NAMEPLATE
  - (5) HARDWARE MAY BE PACKAGED UNASSEMBLED PER MIL-S-8805

21EN78-2  
 M  
 DRAWING NUMBER  
 18193021  
 ISSUE  
 18193021  
 REVISIONS  
 A CO 44351 WJM 18 SEP 79  
 B CO 47873 PART 4 R J H 11 AUG 80  
 C CO 51725 PART 1 S K 28 JULY 82  
 D CO 57370 WJM 14 MAY 85  
 E CO 74101 G J W 23 JAN 93  
 F CO 77804 S A D 14 MAY 94  
 WJM 17 SEP 79  
 CHECK CEB 5 OCT 79  
 CHECK  
 DRAWN  
 FO-5285 1-A

THIS DRAWING COVERS A PROPRIETARY ITEM AND IS THE PROPERTY OF MICRO SWITCH, A DIVISION OF HONEYWELL. THIS DRAWING IS NOT TO BE COPIED OR USED WITHOUT THE APPROVAL OF MICRO SWITCH.		THIRD ANGLE PROJECTION	SCALE FULL
CHARACTERISTICS		ELECTRICAL DATA	DO NOT SCALE PRINT
OPERATING FORCE ----- 6-12 LB	FULL OVERTRAVEL FORCE ----- 30 LB MAX	CONTACT ARRANGEMENT S P N O	TOLERANCES APPLY TO DESIGN UNITS. CONVERSIONS ARE ONLY FOR REFERENCE UNLESS NOTED TOLERANCES ARE 2
RELEASE FORCE ----- 4 LB MIN	PRETRAVEL ----- .040 MAX	LOAD 28 VDC	NO PLACES X 17/04 ONE PLACE X, X 0.4/015 TWO PLACES X, XX 0.16/006 THREE PLACES X, XXX 0.81/009 ANGLES X, XXX 0.15/005
DIFFERENTIAL TRAVEL ----- .020 MAX	OVERTRAVEL ----- .250 MIN	SEA LEVEL 50,000 FT.	DESIGN UNITS <input type="checkbox"/> METRIC <input checked="" type="checkbox"/> US CUSTOMARY
		RES 4 4	RAW MATERIAL - COMMERCIAL STANDARD MICRO SWITCH STANDARDS APPLY DIMENSIONS ARE TO BE MET BEFORE PROTECTIVE COATINGS ARE APPLIED
		IND 2 2	WEIGHT 5.3 OZ MAX
		MOTOR 4	
		LAMP	

# Mouser Electronics

Authorized Distributor

Click to View Pricing, Inventory, Delivery & Lifecycle Information:

[Honeywell:](#)

[21EN78-2](#)