

Copyright FCI.  
FCI

RETENTION CLIPS  
OPTIONAL  
(SEE P/N TABLE)

spec ref	-	dr	Not Found DuWa	2010/04/28	projection	MM	size	A2	scale	3:1								
tolerance std	ASME Y14.5	eng	De-Ming Lu	2014/12/27			ecn no	ELX-DG-19849-1	Product - Customer Draw sheet 1 of 5									
TOLERANCES UNLESS OTHERWISE SPECIFIED		chr	-	rel level			Released											
surface	<table border="1"> <tr> <td>linear</td> <td>0.X</td> <td><math>\pm 0.5</math></td> </tr> <tr> <td></td> <td>0.XX</td> <td><math>\pm 0.25</math></td> </tr> <tr> <td></td> <td>0.XXX</td> <td><math>\pm 0.10</math></td> </tr> <tr> <td>angular</td> <td>0°</td> <td><math>\pm 2^\circ</math></td> </tr> </table>	linear	0.X	$\pm 0.5$				0.XX		$\pm 0.25$		0.XXX	$\pm 0.10$	angular	0°	$\pm 2^\circ$	appr	Pei-Ming Zheng
linear	0.X	$\pm 0.5$																
	0.XX	$\pm 0.25$																
	0.XXX	$\pm 0.10$																
angular	0°	$\pm 2^\circ$																
				title	R/A HDR 24S-8DC-5ACP		dwg no	10077688	rev	B								
		<a href="http://www.fci.com">www.fci.com</a>		cat. no.	-													

PDS: Rev :B

STATUS:Released

Printed: Dec 30, 2014

A

B

C

D

E

F

A

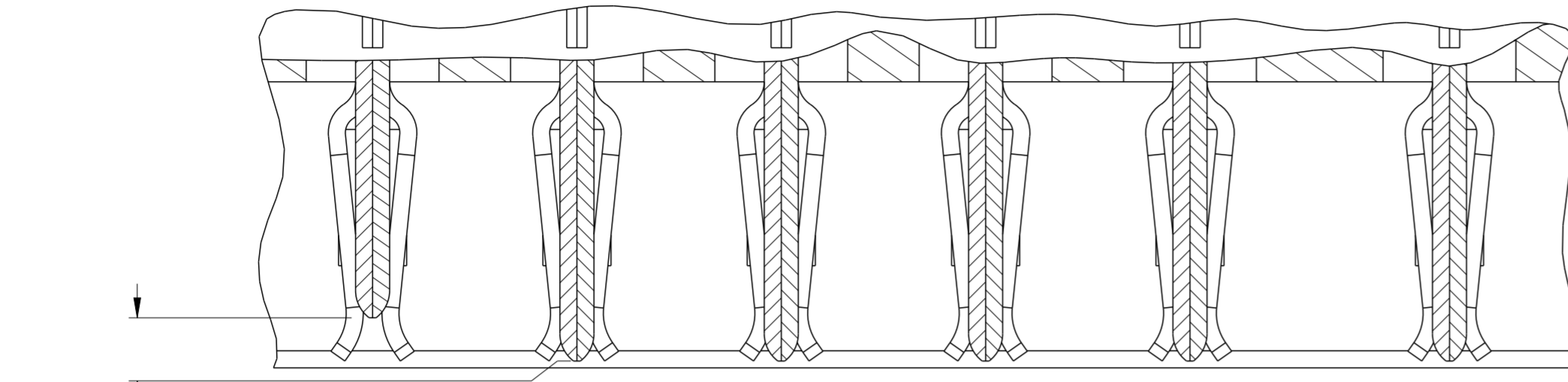
B

C

D

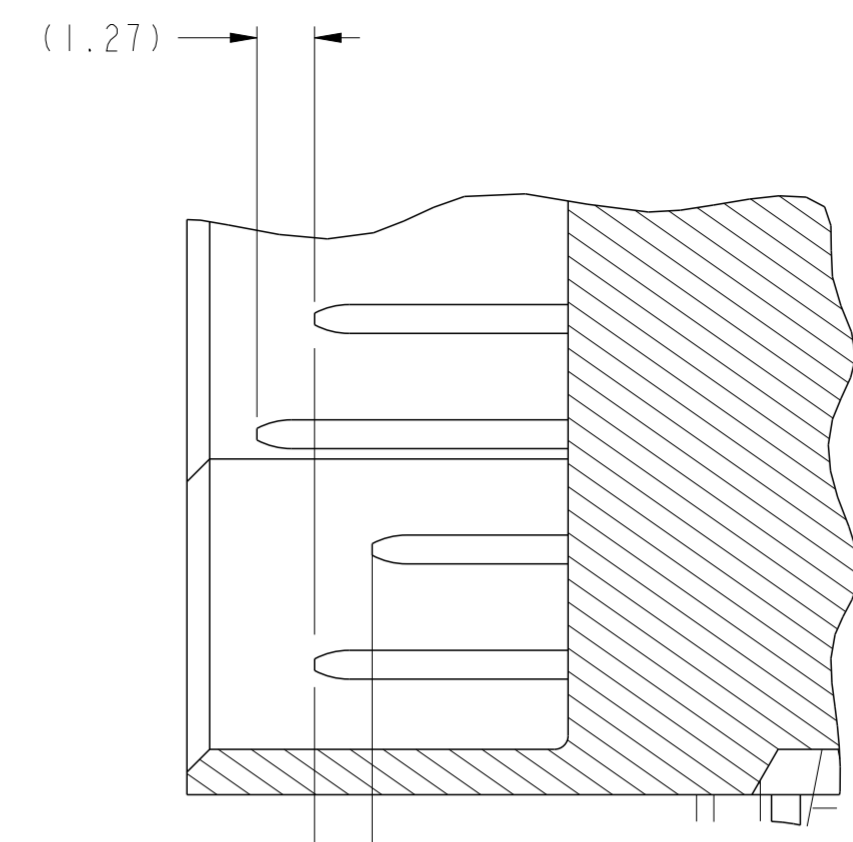
E

F



(1.27)

**DETAIL C**  
**SCALE 6:1**  
POWER MATING  
SEQUENCE

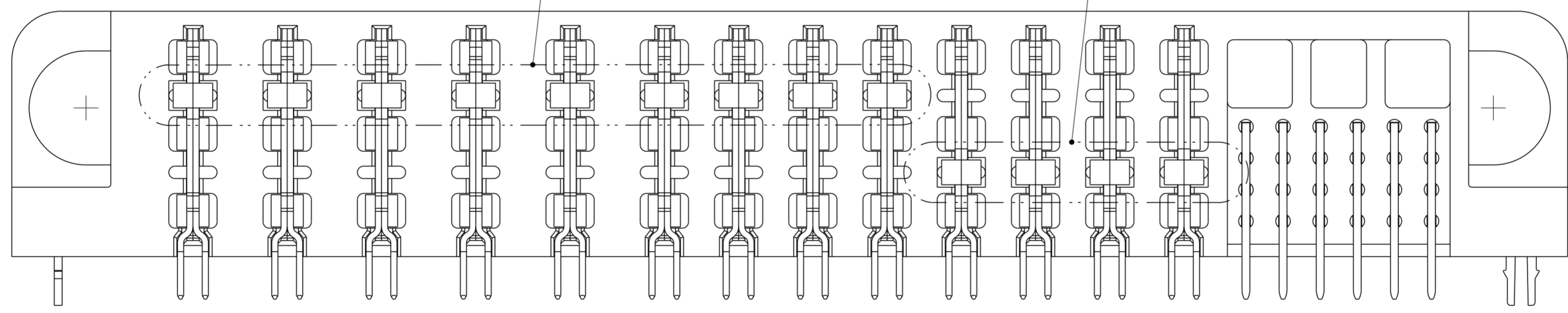


(1.27)

**SECTION W-W**  
**SCALE 6:1**  
SIGNAL MATING  
SEQUENCE

KEYED FOR LONG CONTACTS  
9X

KEYED FOR SHORT CONTACTS  
4X



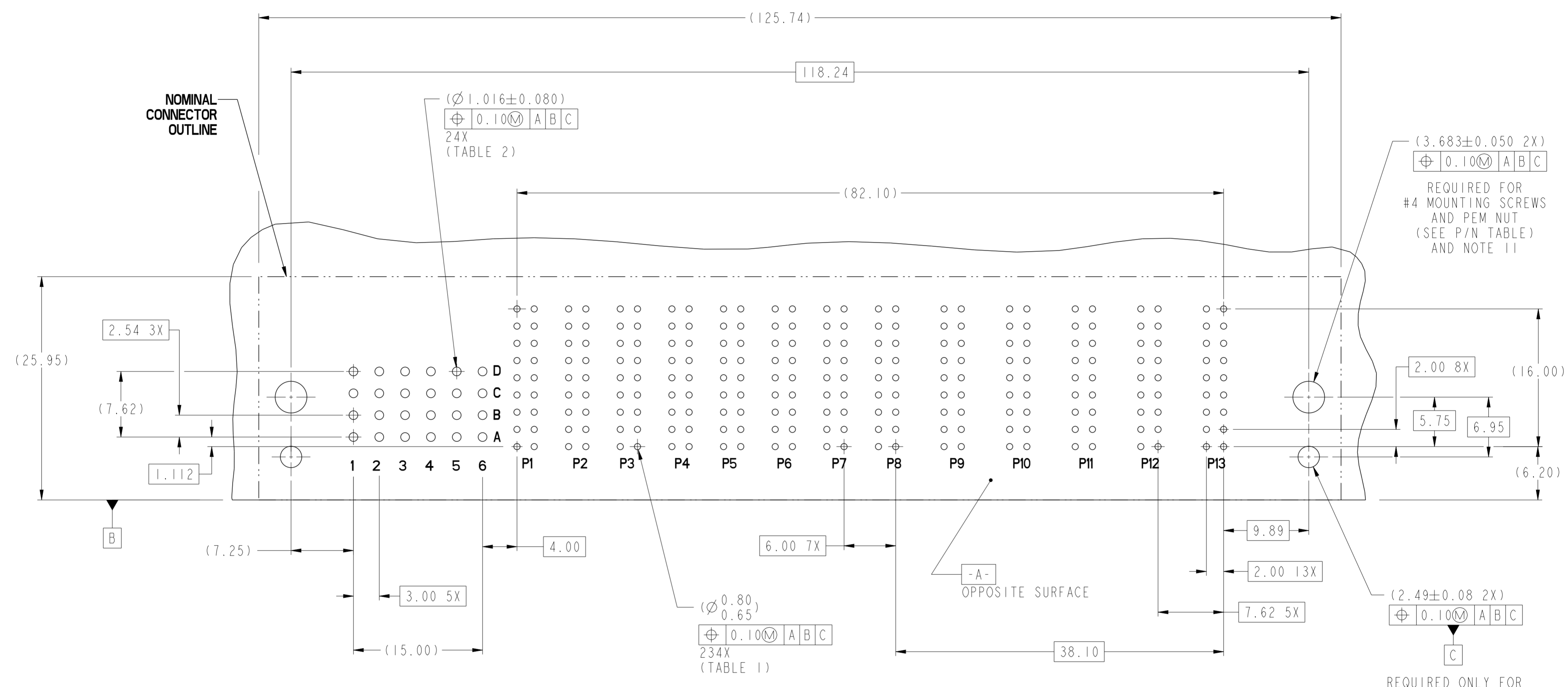
**VIEW G-G**



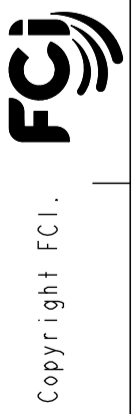
Copyright FCI.

dr	NotFound DuWa	2010/04/28	projection	MM	size	A2	scale	3:1
eng	De-Ming Lu	2014/12/27			ecn no	ELX-DG-19849-1	rel level	Released
chr	-	-						
appr	Pei-Ming Zheng	2014/12/29	product family	HCI				
		title R/A HDR 24S-8DC-5ACP HCI POWER CONNECTOR			dwg no 10077688	rev B		
www.fci.com		cat. no.	-		Product - Customer Drw		sheet 2 of 5	

A  
B  
C  
D  
E  
F



**RECOMMENDED PCB LAYOUT  
COMPONENT SIDE**  
NOTE 6



dr	Not Found DuWa	2010/04/28	projection	MM	size	A2	scale	3:1
eng	De-Ming Lu	2014/12/27			ecn no	ELX-DG-19849-1	rel level	Released
chr	-	-						
appr	Pai-Ming Zheng	2014/12/29	product family	HCI	rel level	Released		
		<b>title</b> R/A HDR 24S-8DC-5ACP HCI POWER CONNECTOR		<b>dwg no</b> 10077688	<b>rev</b> B			
www.fci.com		cat. no.		Product - Customer Draw		sheet 3 of 5		

A

B

C

D

E

F

A

B

C

D

E

F

TOP LAYER DESCRIPTION

TABLE 1 (HCI POWER)  
PLATED THROUGH-HOLE REQUIREMENTS

TOP LAYER DESCRIPTION	DRILLED HOLE DIAMETER	COPPER THICKNESS	TIN-LEAD THICKNESS	NICKEL THICKNESS	GOLD THICKNESS	TIN THICKNESS	SILVER THICKNESS	FINISHED HOLE DIAMETER
TIN-LEAD	0.81-0.86 (0.85 DRILL)	0.025 - 0.050	0.005 - 0.015	--	--	--	--	0.65 - 0.80
IMMERSION TIN	0.81-0.86 (0.85 DRILL)	0.025 - 0.050	--	--	--	0.9 - 1.5um	--	0.70 - 0.80
IMMERSION SILVER	0.81-0.86 (0.85 DRILL)	0.025 - 0.050	--	--	--	--	0.15 - 0.65um	0.70 - 0.80
COPPER (SEE NOTE 9)	0.81-0.86 (0.85 DRILL)	0.025 - 0.050	--	--	--	--	--	0.70 - 0.80
GOLD	0.81-0.86 (0.85 DRILL)	0.025 - 0.050	--	0.003 - 0.007	FLASH UP TO 0.0002	--	--	0.69 - 0.80

TOP LAYER DESCRIPTION

TABLE 2 (HPC SIGNALS)  
PLATED THROUGH-HOLE REQUIREMENTS

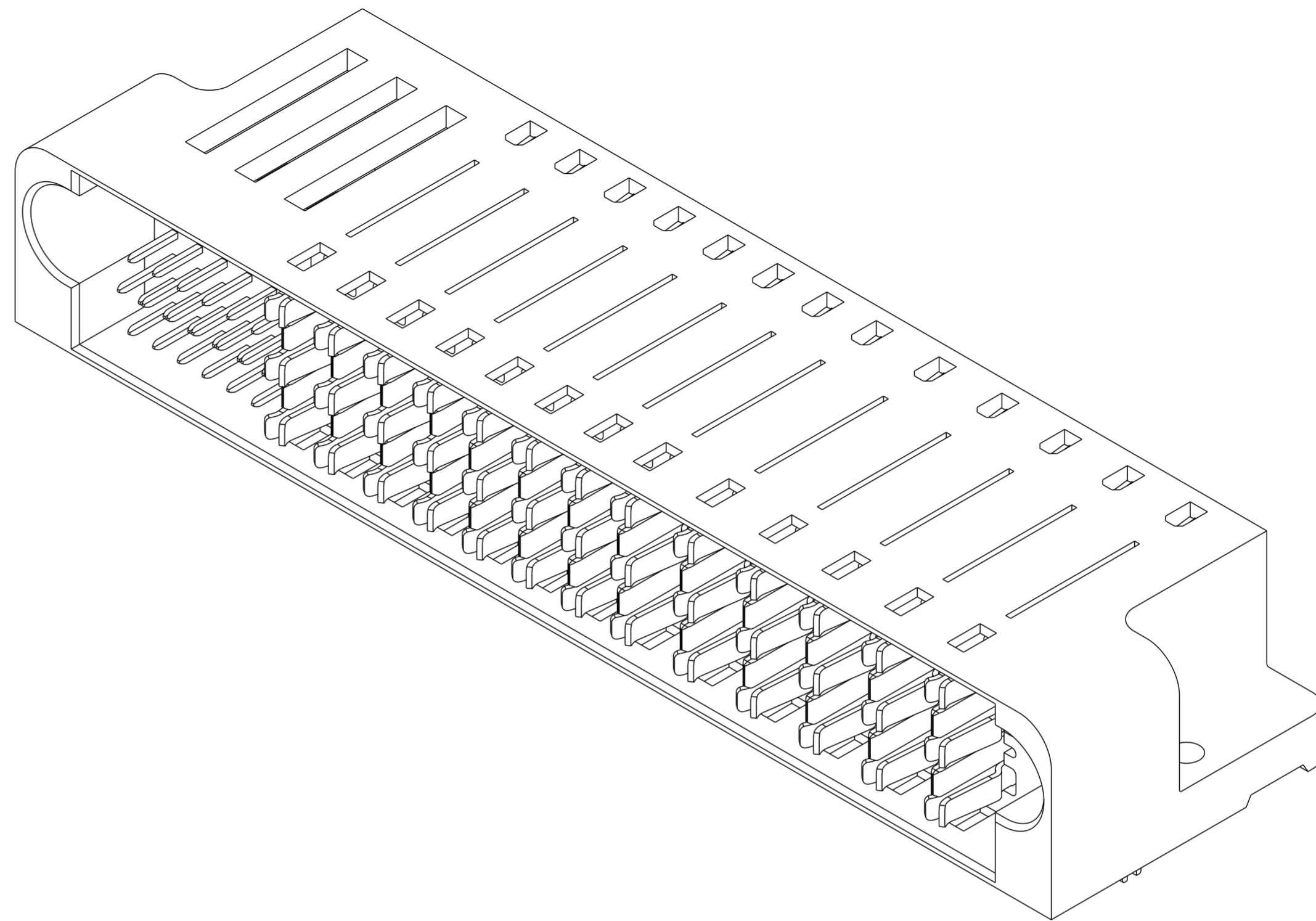
TOP LAYER DESCRIPTION	DRILLED HOLE DIAMETER	COPPER THICKNESS	TIN-LEAD THICKNESS	NICKEL THICKNESS	GOLD THICKNESS	TIN THICKNESS	SILVER THICKNESS	FINISHED HOLE DIAMETER
TIN-LEAD	1.125-1.175 ( $\varnothing .0453 \pm .0010$ )	0.025-0.050	0.005-0.015	--	--	--	--	0.94 - 1.10 ( $\varnothing .040 \pm .003$ )
IMMERSION TIN			--	--	--	--	--	
IMMERSION SILVER			--	--	--	--	--	
COPPER (SEE NOTE 9)			--	--	--	--	--	
GOLD			--	--	--	--	--	



Copyright FCI.

dr	Not Found DuWa	2010/04/28	projection	MM	size	A2	scale	3:1
eng	De-Ming Lu	2014/12/27			ecn no	ELX-DG-19849-1		
chr	-	-			rel level	Released		
appr	Pei-Ming Zheng	2014/12/29	product family	HCI				
		title R/A HDR 24S-8DC-5ACP HCI POWER CONNECTOR		dwg no 10077688		rev B		
www.fci.com		cat. no.		-		Product - Customer Drw		sheet 4 of 5

PART NUMBER	RETENTION CLIPS	#4 SCREW	DIM A (TAIL LENGTH)	TAIL TYPE
10077688-001LF	NO	YES	3.43	SOLDER TAIL
10077688-002LF	NO	YES	4.70	SOLDER TAIL
10077688-003LF	YES	NO	3.43	SOLDER TAIL
10077688-004LF	YES	NO	4.70	SOLDER TAIL



NOTES:

1. CONNECTOR MATERIALS:  
HOUSING: HIGH TEMPERATURE THERMOPLASTIC, BLACK  
UL 94V-0 COMPLIANT  
CONTACTS: HIGH PERFORMANCE COPPER ALLOY
2. CONTACT FINISH (ref GS-12-380 SECTION 5.2)
3. PRODUCT SPECIFICATION: GS-12-380. (IN PROGRESS)
4. APPLICATION SPECIFICATION: GS-20-070. (IN PROGRESS)
5. PRODUCT MARKING (PRODUCT NUMBER & DATE CODE) ON HOUSING IN AREA SHOWN.
6. MINIMUM NOMINAL PCB THICKNESS: 1.6mm
7. PACKAGING MEETS FCI SPECIFICATION GS-14-1073.
8. HOUSING COMPONENT WILL WITHSTAND EXPOSURE TO 260°C PEAK TEMPERATURE FOR 60 SECONDS IN A CONVECTION, INFRA-RED, OR VAPOR PHASE REFLOW OVEN.
9. COPPER PLATING THICKNESS IN CENTER OF VIA-HOLE CAN BE NO MORE THAN 0.003 LESS THAN OTHER AREAS.
10. ALL HOLE SIZES ARE FINISHED HOLE SIZES.
11. MOUNTING HOLES ARE UNPLATED.

dr	NotFound DuWa	2010/04/28	projection	MM	size	A2	scale	3:1	
eng	De-Ming Lu	2014/12/27			ecn no	ELX-DG-19849-1			
chr	-	-			rel level	Released			
appr	Pei-Ming Zheng	2014/12/29	product family	HCI	cat. no.	-			
		title	R/A HDR 24S-8DC-5ACP		dwg no	10077688		rev	B
www.fci.com		Product - Customer Drw		sheet 5 of 5					

# Mouser Electronics

Authorized Distributor

Click to View Pricing, Inventory, Delivery & Lifecycle Information:

[FCI / Amphenol:](#)

[10077688-001LF](#)