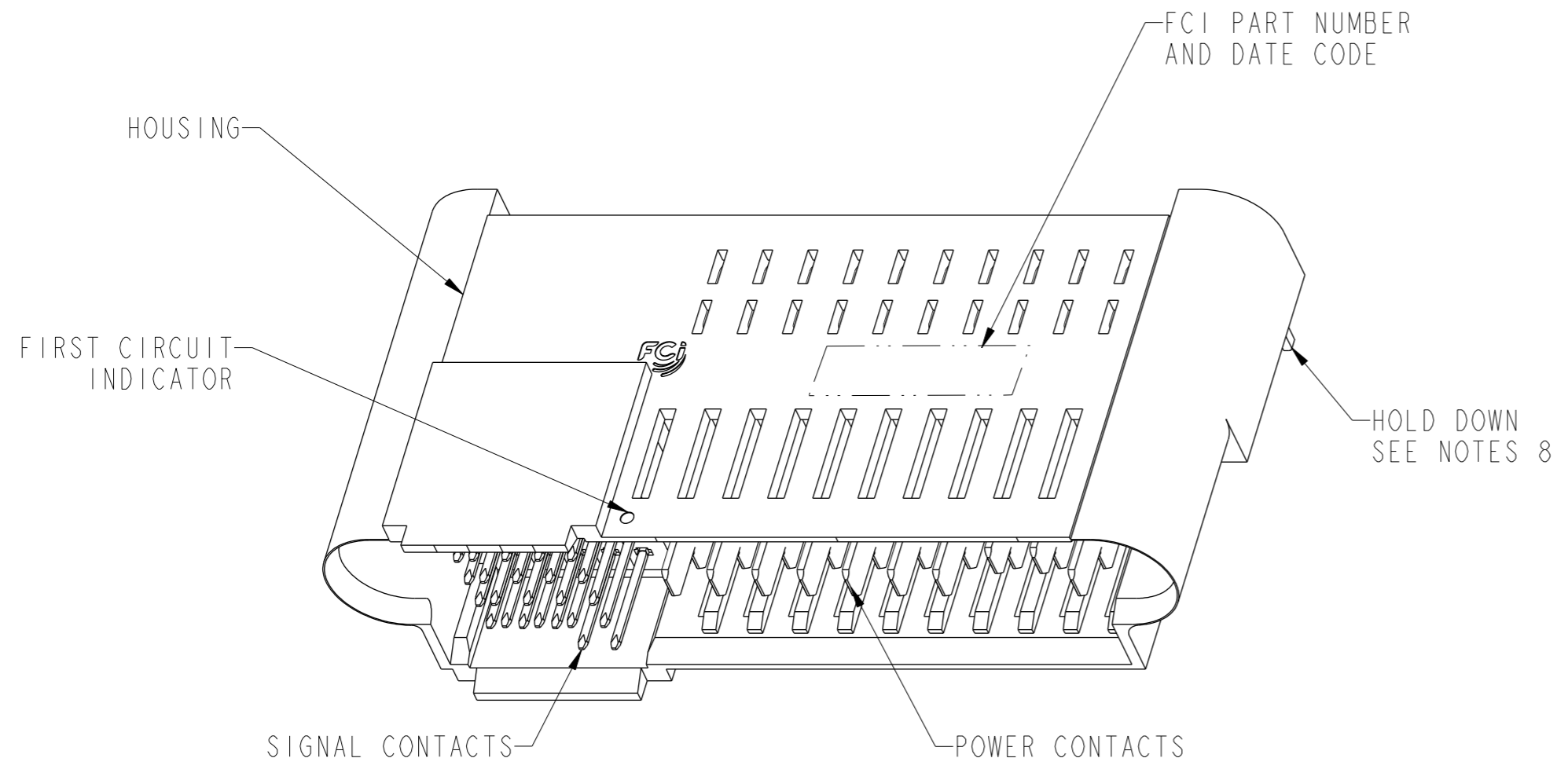
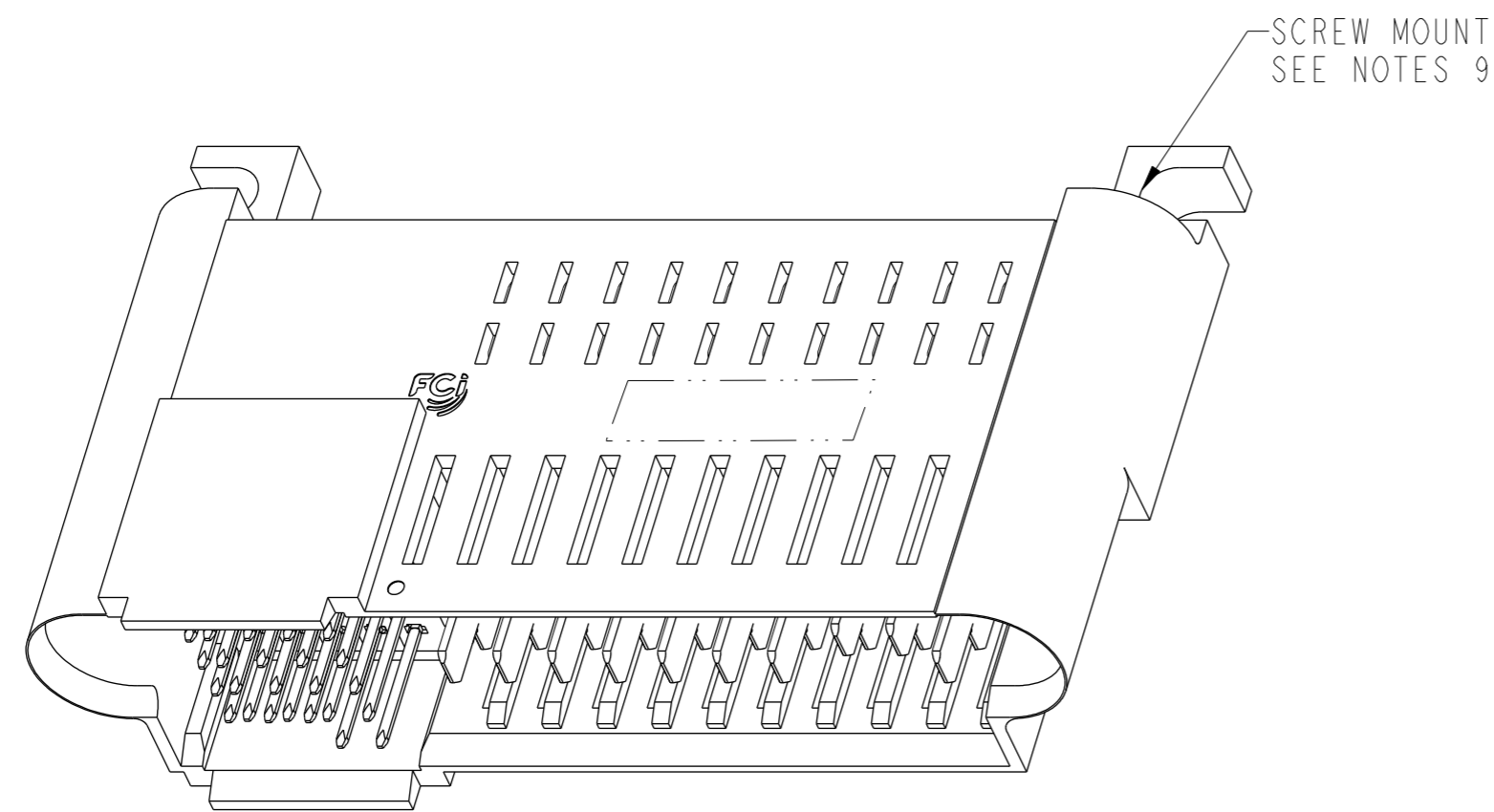


A
B
C
D
E
F



**25Sx10P CONFIGURATION SHOWN
HOLD DOWN TYPE**



**25Sx10P CONFIGURATION SHOWN
SCREW MOUNT TYPE**

NOTES:

1. HOUSING MATERIAL: GF LCP, COLOR: BLACK, UL 94 V-0 RATED
SIGNAL CONTACT MATERIAL: PHOSPHOR BRONZE
SIGNAL PIN OVERMOLD MATERIAL: GF POLYESTER
POWER CONTACT MATERIAL: COPPER ALLOY
2. PLATING ON SIGNAL CONTACTS: 1.27µm MIN Ni UNDERPLATING ALL OVER WITH 0.76µm MIN GXT IN CONTACT MATING AREA, AND 0.5µm MIN MATTE TIN ON TAIL AREA.

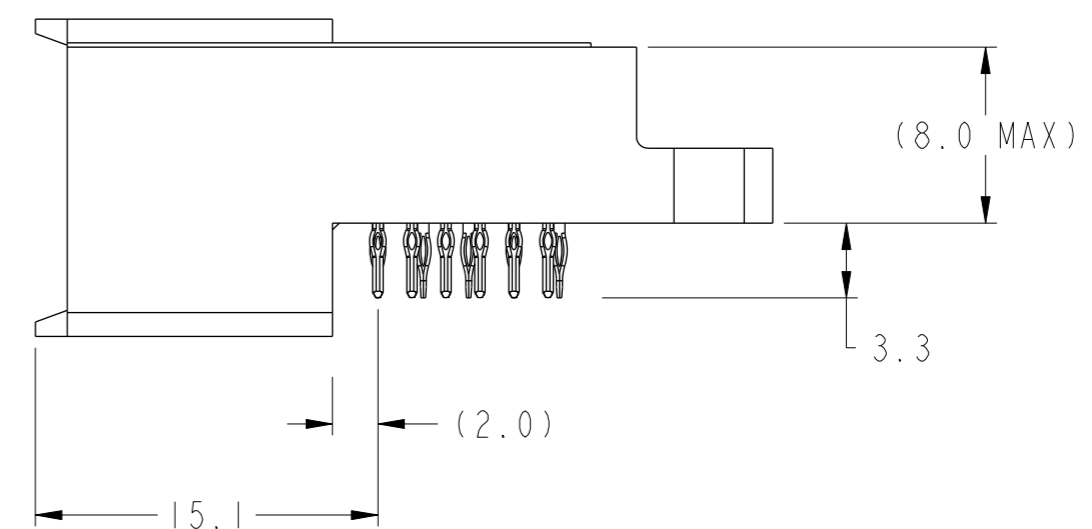
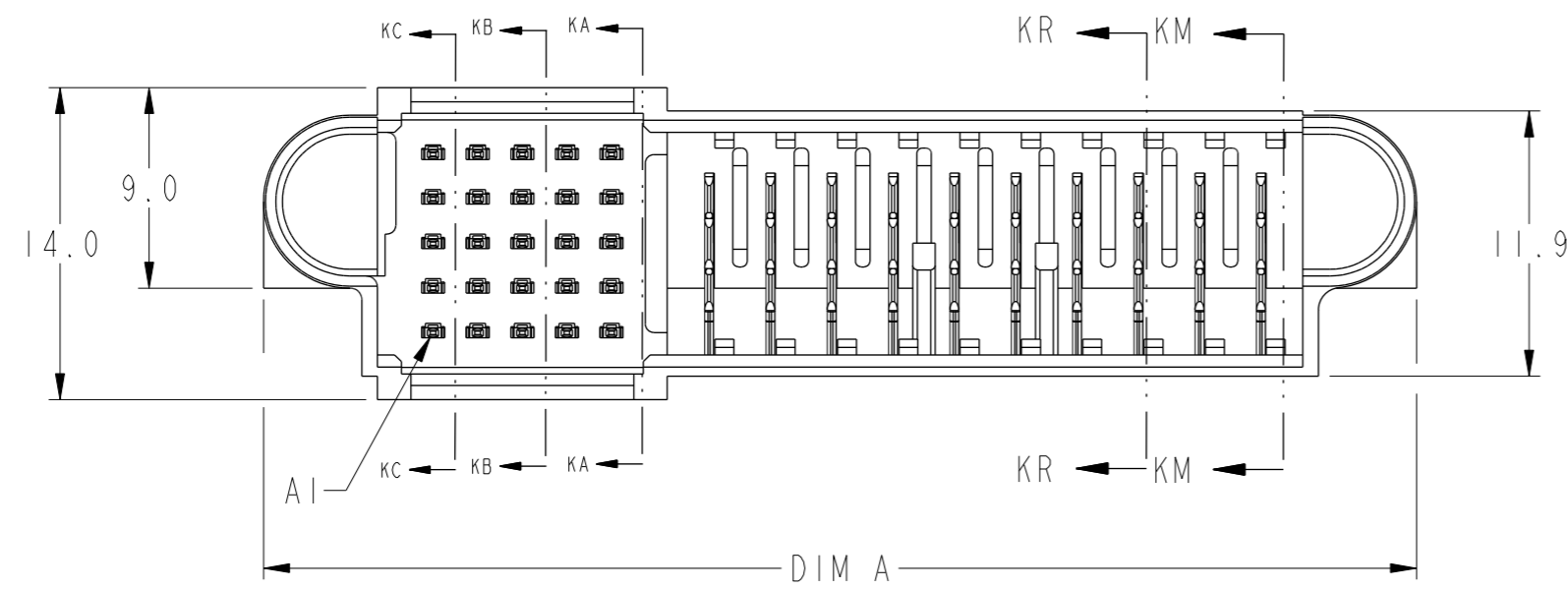
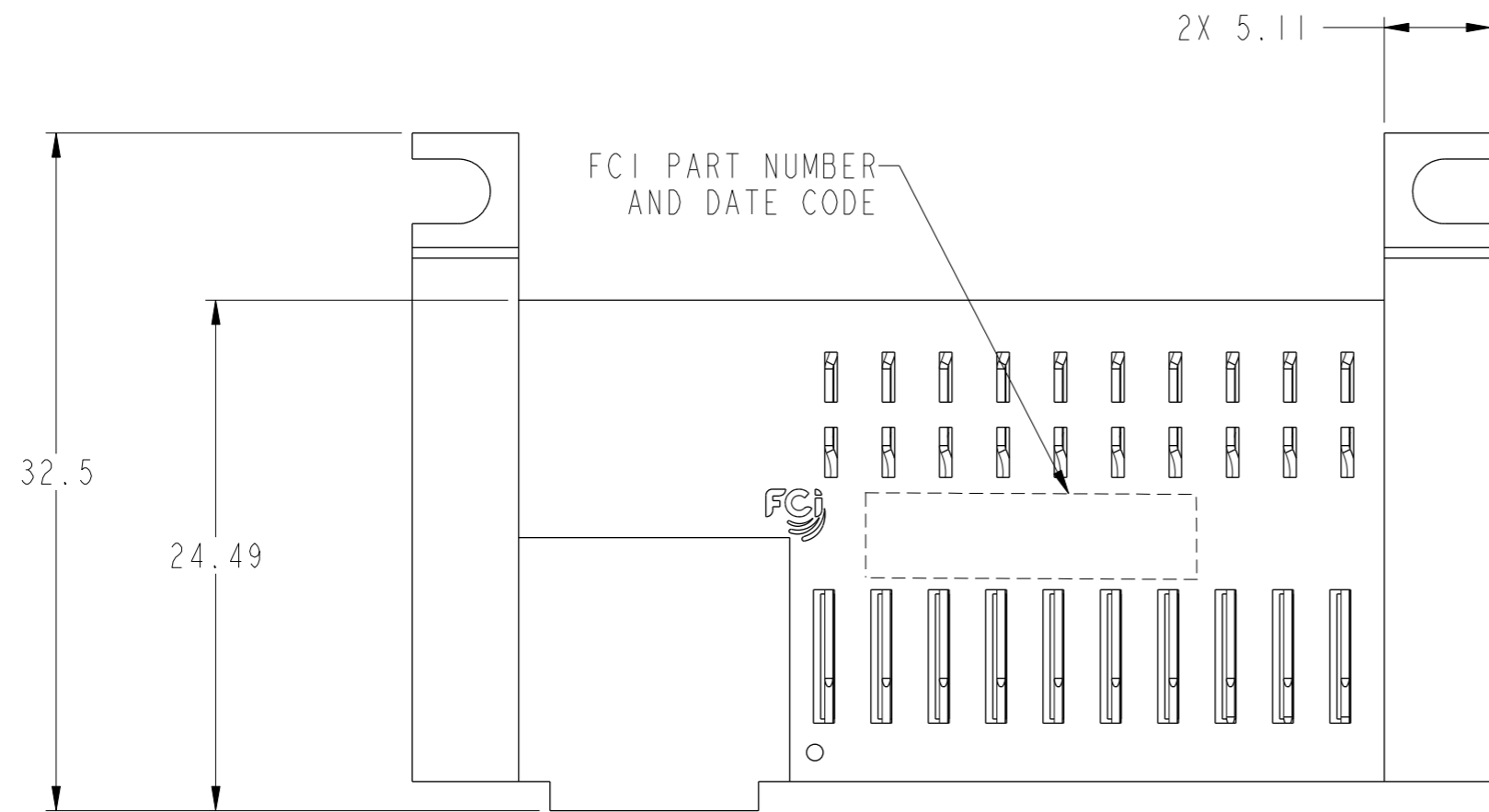
PLATING ON POWER CONTACTS: 1.27µm MIN Ni UNDERPLATING ALL OVER WITH 0.76µm MIN GXT IN CONTACT MATING AREA, AND 0.5µm MIN MATTE TIN ON TAIL AREA.

PLATING ON HOLD DOWN IF APPLICABLE: 1.27µm MIN Ni, UNDERPLATING ALL OVER WITH 0.76µm MIN MATTE TIN OVER.
3. LUBRICATION: LUBRICATE ON CONTACT AREA.
4. RECOMMENDED PCB THICKNESS IS:
FOR PRESS FIT APPLICATION: 1.4mm MIN
FOR SOLDER APPLICATION: 1.40mm THROUGH 2.62mm.
5. FOR SCREW MOUNT APPLICATIONS, A #4-40 UNC PAN SCREW WITH HEX NUT IS RECOMMENDED (SUPPLIED BY CUSTOMER).
6. FOR PRESS FIT $\varnothing 0.61 \pm 0.05\text{mm}$, FOR SOLDER $\varnothing 0.90 \pm 0.05\text{mm}$.
7. UNPLATED HOLES.
8. HOLD DOWN APPLICATION NEEDED.
9. SCREW MOUNT APPLICATION NEEDED.
10. PRODUCT SPECIFICATION: GS-12-1064
APPLICATION SPECIFICATION: GS-20-0362



Copyright FCI.

spec ref	SEE NOTE	dr	Fancy Zhang	2015/05/12	projection	MM	size	A2	scale	3:1
tolerance std	TOLERANCES UNLESS OTHERWISE SPECIFIED	eng	Fancy Zhang	2015/05/27			ecn no	-	rel level	Released
ASME Y14.5		chr	-	2015/05/27						
surface	linear	appr	Pei-Ming Zheng	2015/05/27	product family	PwrLoPro	rel level	Released	rev	A
ASME Y14.5	angular				title	PWR LoPro HEADER ASSEMBLY	cat. no.	10135322	sheet 1 of 10	



SCREW MOUNT TYPE AS SHOWN

spec ref	SEE NOTE	dr	Fancy Zhang	2015/05/12	projection	MM	size	A2	scale	3:1									
tolerance std	TOLERANCES UNLESS OTHERWISE SPECIFIED	eng	Fancy Zhang	2015/05/27			ecn no	-	rel level	Released									
ASME Y14.5		chr	-	app							Pei-Ming Zheng	2015/05/27	product family	PwrLoPro					
surface	<table border="1"> <tr> <td>linear</td> <td>0.X</td> <td>±0.30</td> </tr> <tr> <td></td> <td>0.XX</td> <td>±0.20</td> </tr> <tr> <td></td> <td>0.XXX</td> <td>±0.10</td> </tr> <tr> <td>angular</td> <td>0°</td> <td>±2°</td> </tr> </table>	linear	0.X	±0.30		0.XX	±0.20		0.XXX	±0.10	angular	0°	±2°		PWR LoPro HEADER ASSEMBLY RA, PASSIVE GUIDE, S+P		cat. no.	Product - Customer Drw	sheet 2 of 10
linear	0.X	±0.30																	
	0.XX	±0.20																	
	0.XXX	±0.10																	
angular	0°	±2°																	
ASME Y14.5		www.fci.com	title PWR LoPro HEADER ASSEMBLY RA, PASSIVE GUIDE, S+P		no 10135322	rev A													

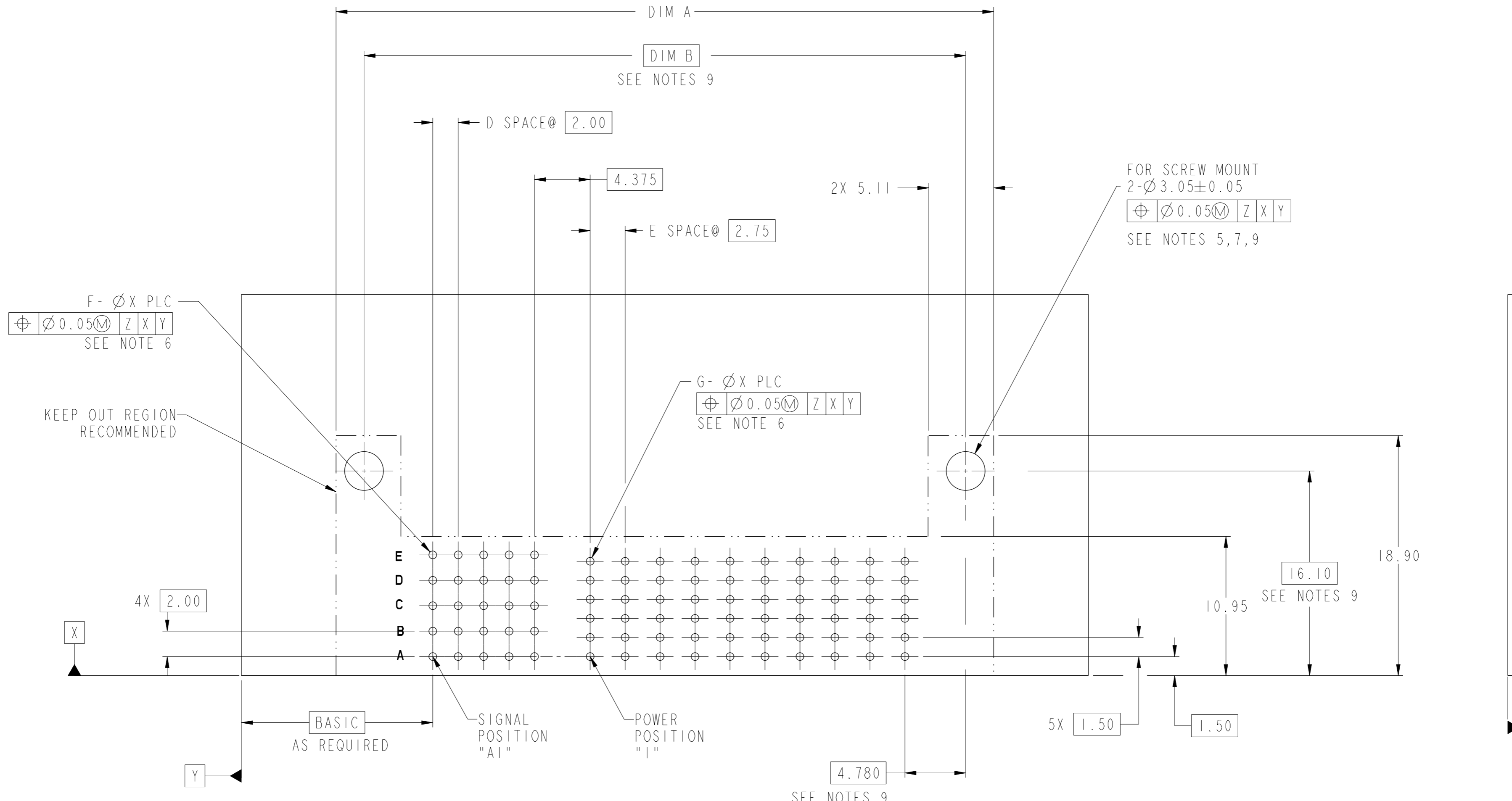
PDS: Rev :A

STATUS:Released

Printed: Jun 23, 2015



Copyright FCI.

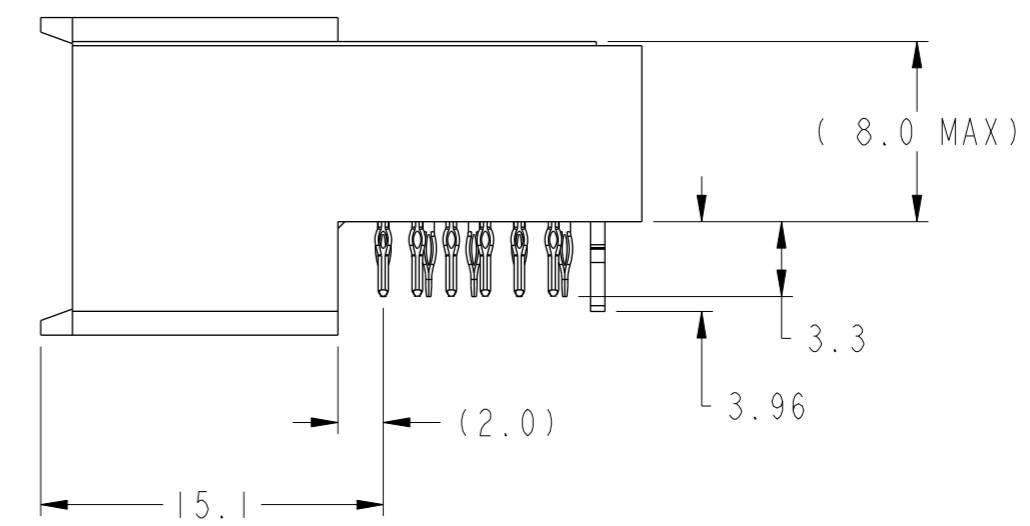
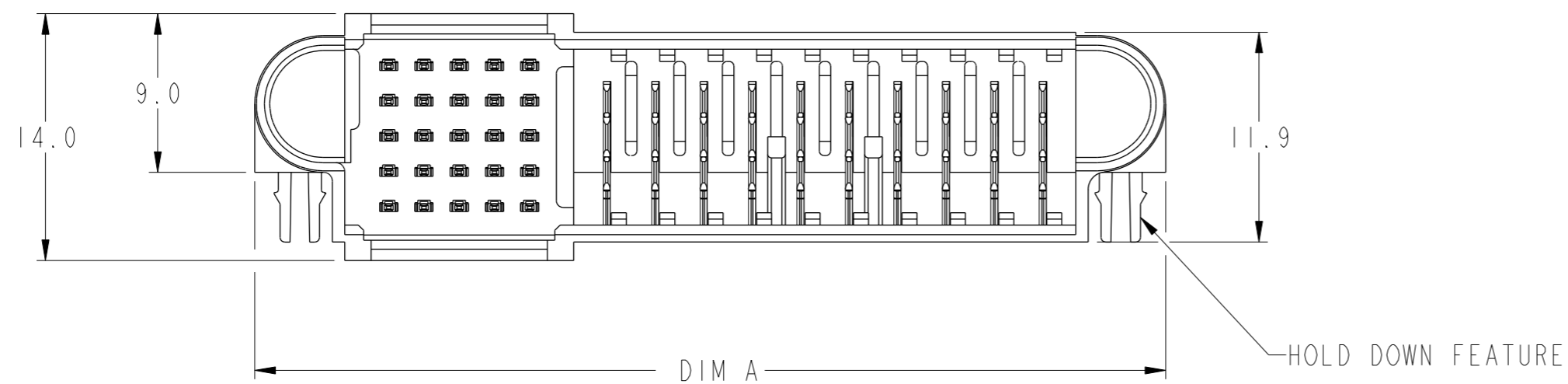
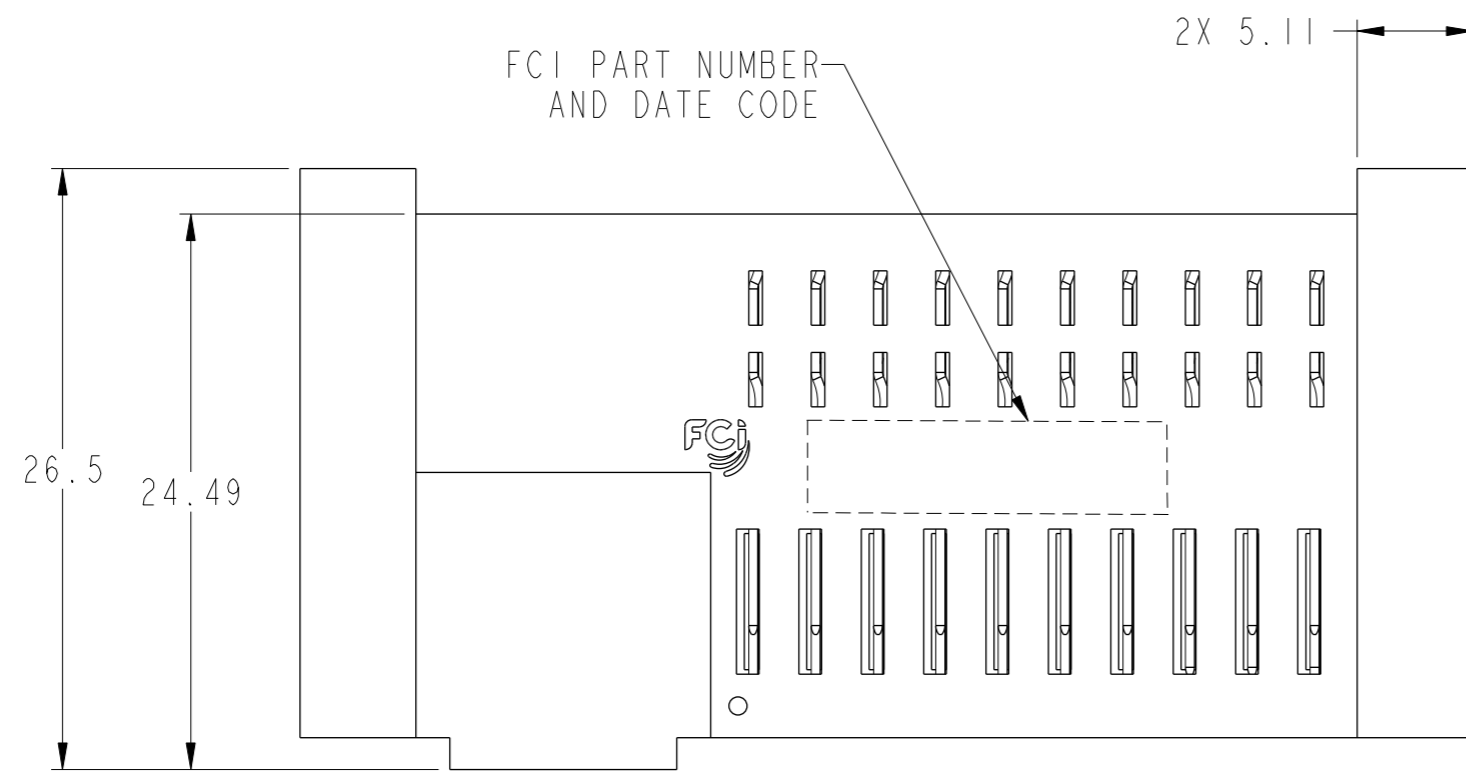


**RECOMMENDED PRINTED CIRCUIT BOARD LAYOUT SEE NOTE 4
FOR 10135322-XXXLF SCREW MOUNT TYPE
(AS VIEWED FROM COMPONENT SIDE)**

spec ref	SEE NOTE	dr	Fancy Zhang	2015/05/12	projection	MM	size	A2	scale	5:1									
tolerance std	TOLERANCES UNLESS OTHERWISE SPECIFIED	eng	Fancy Zhang	2015/05/27			ecn no	-	rel level	Released									
ASME Y14.5		chr	-	appr							Pei-Ming Zheng	2015/05/27	product family	PwrLoPro					
surface	<table border="1"> <tr> <td>linear</td> <td>0.X</td> <td>±0.30</td> </tr> <tr> <td></td> <td>0.XX</td> <td>±0.20</td> </tr> <tr> <td></td> <td>0.XXX</td> <td>±0.10</td> </tr> <tr> <td>angular</td> <td>0°</td> <td>±2°</td> </tr> </table>	linear	0.X	±0.30		0.XX	±0.20		0.XXX	±0.10	angular	0°	±2°			PWR LoPro HEADER ASSEMBLY RA, PASSIVE GUIDE,S+P		no 10135322	rev A
linear	0.X	±0.30																	
	0.XX	±0.20																	
	0.XXX	±0.10																	
angular	0°	±2°																	
ASME Y14.5		www.fci.com	cat. no.	-	Product	Customer Drw	sheet 3 of 10												



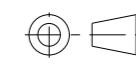
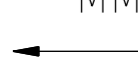
Copyright FCI.



HOLD DOWN TYPE AS SHOWN

spec ref	SEE NOTE	dr	Fancy Zhang	2015/05/12	projection	MM	size	A2	scale	1:1	
tolerance std	ASME Y14.5	eng	Fancy Zhang	2015/05/27			ecn no	-	rel level		Released
surface	✓	chr	-	app			Pei-Ming Zheng	2015/05/27	product family	PwrLoPro	rel level
linear	0.X ±0.30 0.XX ±0.20 0.XXX ±0.10			PWR LoPro HEADER ASSEMBLY RA, PASSIVE GUIDE, S+P		cat. no.	10135322	rev	A		
angular	0° ±2°	www.fci.com		Product - Customer Drw		sheet 4 of 10					

PART NUMBER	CONFIGURATION	DIM "A"	DIM "B" FOR SCREW MOUNT	DIM "C" FOR HOLD DOWN	"D" SPACES	"E" SPACES	"F" QTY.	"G" QTY.	MOUNTING FEATURE
10135322-001LF	35S+18P	77.71	-	72.60	6	17	35	108	HOLD DOWN
10135322-002LF	25S+10P	51.71	47.31	-	4	9	25	60	SCREW MOUNT
10135322-003LF	25S+10P	51.71	-	46.6	4	9	25	60	HOLD DOWN
10135322-004LF	25S+8P	46.21	-	41.1	4	7	25	48	HOLD DOWN
10135322-005LF	25S+10P	51.71	-	46.6	4	9	25	60	HOLD DOWN
10135322-006LF	25S+8P	46.21	-	41.1	4	7	25	48	HOLD DOWN
10135322-007LF	25S+10P	51.71	47.31	-	4	9	25	60	SCREW MOUNT
10135322-008LF	15S+2P	25.71	-	15.1	2	1	15	12	HOLD DOWN
10135322-009LF	25S+10P	51.71	-	46.6	4	9	25	60	HOLD DOWN
10135322-010LF	35S+20P	83.21	-	78.1	6	19	35	120	HOLD DOWN
10135322-011LF	25S+2P	29.71	-	24.6	4	1	25	12	HOLD DOWN

spec ref	SEE NOTE	dr	Fancy Zhang	20150512	projection	MM	size	A2	scale	1:1												
tolerance std	ASME Y14.5	eng	Fancy Zhang	20150527			ecn no	-														
	TOLERANCES UNLESS OTHERWISE SPECIFIED	chr	-	rel level			Released															
surface	<table border="1"> <tr> <td>linear</td> <td>0.X</td> <td>±0.30</td> </tr> <tr> <td></td> <td>0.XX</td> <td>±0.20</td> </tr> <tr> <td></td> <td>0.XXX</td> <td>±0.10</td> </tr> <tr> <td>angular</td> <td>0°</td> <td>±2°</td> </tr> </table>	linear	0.X	±0.30		0.XX	±0.20		0.XXX	±0.10	angular	0°	±2°	appr	Pei-Ming Zheng	20150527	product family	PwrLoPro	cat. no.	10135322	rev	A
linear	0.X	±0.30																				
	0.XX	±0.20																				
	0.XXX	±0.10																				
angular	0°	±2°																				
ASME Y14.5		www.fci.com		PWR LoPro HEADER ASSEMBLY		RA, PASSIVE GUIDE,S+P		Product - Customer Drw sheet 6 of 10														



Copyright FCI.

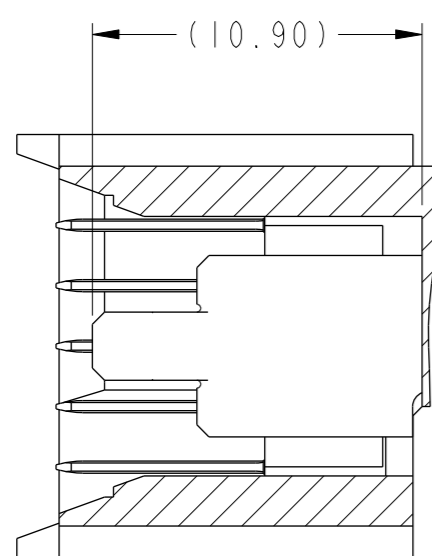
CUSTOMER LOADING WORKSHEET FOR SIGNAL & POWER SEQUENCING LEVELS

PWR LO PRO - MATING FACE OF HEADER CONNECTOR(4)

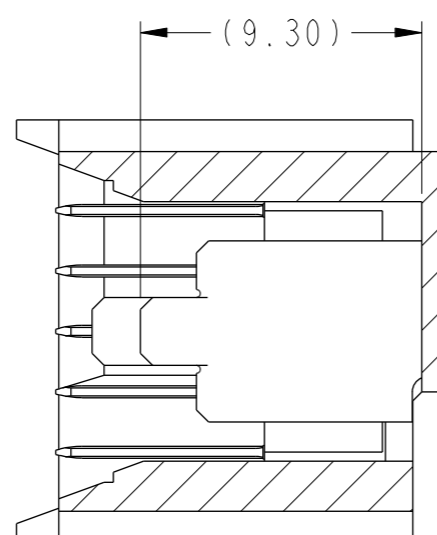
E																																		
D																																		
C																																		
B																																		
A																																		
ROWS	MOUNTING FEATURE(3)	1	2	3	4	5	6	7	8	1	2	3	4	5	6	7	8	9	10	11	12	13	14	15	16	17	18	19	20	21	22	23	24	MOUNTING FEATURE(3)
		SIGNAL CONTACTS(2)								POWER CONTACTS(1)																								

- 1). LOAD WITH CHOICE OF 2 POWER CONTACT MATING LEVELS, SEE SECTIONS KM & KR FOR AVAILABLE LEVEL OPTIONS.
- 2). LOAD WITH CHOICE OF 3 SIGNAL CONTACT MATING LEVELS, SEE SECTIONS KA,KB,&KC FOR AVAILABLE LEVEL OPTIONS.
- 3). MOUNTING FEATURE OPTION "X"
 - H : HOLD DOWN TYPE
 - S : SCREW MOUNT TYPE
- 4). CUSTOMER LOADING WORKSHEET SHOWN AT MAXMUM SIZE CONFIGURATION (40Sx24P), SIGNALS AVAILABLE IN 2,3,4 THRU 8 POSITIONS, POWERS AVAILABLE IN 4,6,8 THRU 24 POSITIONS IN EVEN QUANTITIES ONLY.

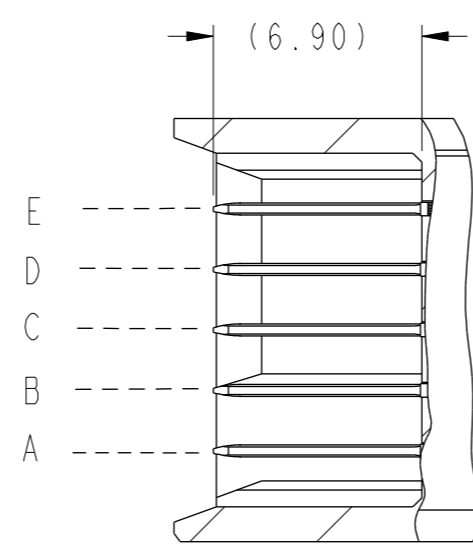
CODE	DESCRIPTION
1	FOR LEVEL 1
2	FOR LEVEL 2
32222	FOR LEVEL 32222 (MIXED)
3	FOR LEVEL 3



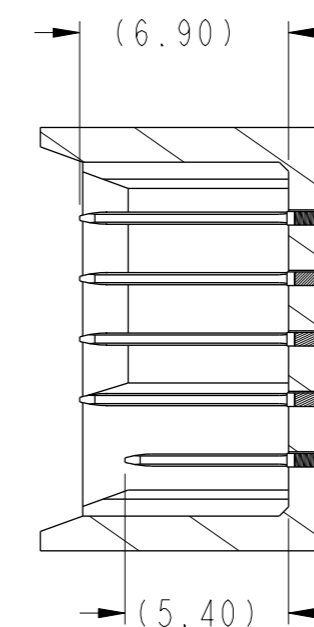
POWER SECTION KM-KM LEVEL 1: LONGEST MATING CONTACTS



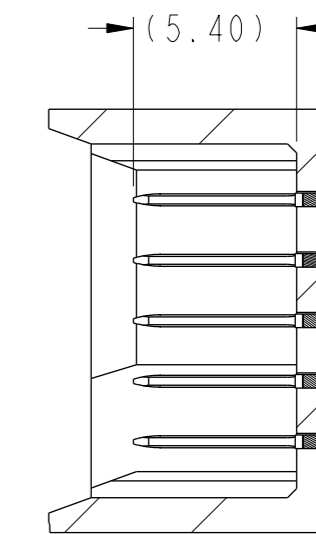
POWER SECTION KR-KR LEVEL 2: SHORTEST MATING CONTACTS



SIGNAL SECTION KA-KA LEVEL 2: ALL LONGEST CONTACTS



SIGNAL SECTION KB-KB LEVEL 32222 (MIXED): ROW "A", SHORTEST CONTACT ROW "B" THRU "E", LONGEST CONTACTS



SIGNAL SECTION KC-KC LEVEL 3: ALL SHORTEST CONTACTS

spec ref	SEE NOTE	dr	Fancy Zhang	201505/12	projection	MM	size	A2	scale	1:1
tolerance std	ASME Y14.5	eng	Fancy Zhang	201505/27			ecn no	-	rel level	Released
	TOLERANCES UNLESS OTHERWISE SPECIFIED	chr	-	apppr						
surface	ASME Y14.5	linear	0.X	±0.30			cat. no.	-	Product - Customer Drw	sheet 7 of 10
			0.XX	±0.20	TITLE PWR LoPro HEADER ASSEMBLY RA, PASSIVE GUIDE,S+P		cat. no.	10135322	rev	A
		angular	0°	±2°	www.fci.com		cat. no.	-	Product - Customer Drw	sheet 7 of 10

PART NUMBER	ROWS	SIGNALS							POWERS																	
		1	2	3	4	5	6	7	1	2	3	4	5	6	7	8	9	10	11	12	13	14	15	16	17	18
		10135322-001LF 35S + 18P	E D C B A	3	3	3	3	3	3	2	2	2	-	-	-	-	-	-	-	2	2	2	2	2	2	2

PART NUMBER	ROWS	SIGNALS					POWERS																		
		1	2	3	4	5	1	2	3	4	5	6	7	8	9	10									
		10135322-002LF 25S + 10P	E D C B A	2	2	32222	2	2	2	2	2	2	2	2	2	2	2	2	2	2	2	2	2	2	2

PART NUMBER	ROWS	SIGNALS					POWERS																		
		1	2	3	4	5	1	2	3	4	5	6	7	8	9	10									
		10135322-003LF 25S + 10P	E D C B A	2	2	32222	2	2	2	2	2	2	2	2	2	2	2	2	2	2	2	2	2	2	2

PART NUMBER	ROWS	SIGNALS					POWERS										
		1	2	3	4	5	1	2	3	4	5	6	7	8			
		10135322-004LF 25S + 8P	E D C B A	2	2	32222	2	2	-	-	-	-	2	2	2	2	2

PART NUMBER	ROWS	SIGNALS					POWERS										
		1	2	3	4	5	1	2	3	4	5	6	7	8	9	10	
		10135322-005LF 25S + 10P	E D C B A	2	2	2	2	3	2	2	2	2	2	2	2	2	2

VIEWED FROM MATING FACE:

spec ref	SEE NOTE	dr	Fancy Zhang	20150512	projection	MM	size	A2	scale	1:1
tolerance std	ASME Y14.5	eng	Fancy Zhang	20150527	chr	-	ecn no	-	rel level	Released
surface	linear	0.X	±0.30	0.XX	±0.20	0.XXX	±0.10	angular	0°	±2°
ASME Y14.5	angular	0°	±2°	www.fci.com	cat. no.	-	Product	Customer Drw	sheet 8 of 10	






Copyright FCI.

PART NUMBER	ROWS	SIGNALS					POWERS								
		1	2	3	4	5	1	2	3	4	5	6	7	8	
10135322-006LF 25S + 8P	E	H	2	2	32222	2	2	-	-	2	2	2	2	2	-
	D														
	C														
	B														
	A														

PART NUMBER	ROWS	SIGNALS					POWERS										
		1	2	3	4	5	1	2	3	4	5	6	7	8	9	10	
10135322-007LF 25S + 10P	E	S	2	2	2	2	3	2	2	2	2	2	2	2	2	2	2
	D																
	C																
	B																
	A																

PART NUMBER	ROWS	SIGNALS			POWERS		
		1	2	3	1	2	
10135322-008LF 15S + 2P	E	H	32222	2	2	-	2
	D						
	C						
	B						
	A						

PART NUMBER	ROWS	SIGNALS					POWERS										
		1	2	3	4	5	1	2	3	4	5	6	7	8	9	10	
10135322-009LF 25S + 10P	E	H	2	2	3	2	2	2	2	2	2	2	2	2	2	2	2
	D																
	C																
	B																
	A																

spec ref	SEE NOTE	dr	Fancy Zhang	2015/05/12	projection	MM	size	A2	scale	1:1																
tolerance std	TOLERANCES UNLESS OTHERWISE SPECIFIED	eng	Fancy Zhang	2015/05/27			ecn no	-	rel level	Released																
ASME Y14.5		chr	-	2015/05/27							product family	PwrLoPro														
-		appr	Pei-Ming Zheng	2015/05/27							rel level	Released														
surface	<table border="1"> <tr> <td>linear</td> <td>0.X</td> <td>±0.30</td> </tr> <tr> <td></td> <td>0.XX</td> <td>±0.20</td> </tr> <tr> <td></td> <td>0.XXX</td> <td>±0.10</td> </tr> <tr> <td>angular</td> <td>0°</td> <td>±2°</td> </tr> </table>	linear	0.X	±0.30		0.XX	±0.20		0.XXX	±0.10	angular	0°	±2°		<table border="1"> <tr> <td>title</td> <td>PWR LoPro HEADER ASSEMBLY</td> <td>cat. no.</td> <td>10135322</td> </tr> <tr> <td></td> <td>RA, PASSIVE GUIDE,S+P</td> <td></td> <td></td> </tr> </table>	title	PWR LoPro HEADER ASSEMBLY	cat. no.	10135322		RA, PASSIVE GUIDE,S+P			<table border="1"> <tr> <td>rev</td> <td>A</td> </tr> </table>	rev	A
linear	0.X	±0.30																								
	0.XX	±0.20																								
	0.XXX	±0.10																								
angular	0°	±2°																								
title	PWR LoPro HEADER ASSEMBLY	cat. no.	10135322																							
	RA, PASSIVE GUIDE,S+P																									
rev	A																									
ASME Y14.5	www.fci.com	Product - Customer Drw	sheet 9 of 10																							



Copyright FCI.

PART NUMBER	ROWS	SIGNALS							POWERS																				
		1	2	3	4	5	6	7	1	2	3	4	5	6	7	8	9	10	11	12	13	14	15	16	17	18	19	20	
10135322-010LF 35S + 20P	E		3	3	3	3	3	3	3	2	2	2	-	-	-	-	-	-	-	-	-	2	2	2	2	2	2	2	2
	D																												
	C																												
	B																												
	A																												

PART NUMBER	ROWS	SIGNALS					POWERS		
		1	2	3	4	5	1	2	
10135322-011LF 25S + 2P	E		2	32222	2	32222	2	-	2
	D								
	C								
	B								
	A								

spec ref	SEE NOTE	dr	Fancy Zhang	2015/05/12	projection		MM	size	A2	scale	1:1
tolerance std	ASME Y14.5	eng	Fancy Zhang	2015/05/27	chr	-	ecn no	-	rel level	Released	
surface	ASME Y14.5	appr	Pei-Ming Zheng	2015/05/27	product family	PwrLoPro	rel level	Released			
		linear	0.X	±0.30	0.XX	±0.20	0.XXX	±0.10	angular	0°	±2°
				www.fci.com		title		PWR LoPro HEADER ASSEMBLY		RA, PASSIVE GUIDE,S+P	
				cat. no.		-		Product - Customer Drw		sheet 10 of 10	

Copyright FCI. FCI

Mouser Electronics

Authorized Distributor

Click to View Pricing, Inventory, Delivery & Lifecycle Information:

[FCI / Amphenol:](#)

[10135322-002LF](#) [10135322-007LF](#)