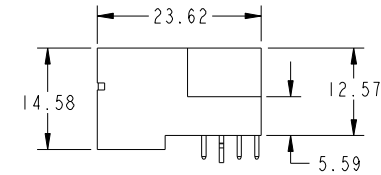
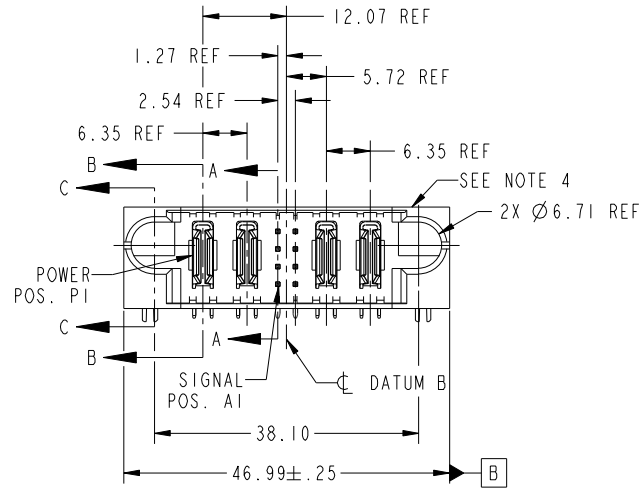


Tous droits strictement reserves. Reproduction ou communication a des tiers interdite sous quelque forme que ce soit sans autorisation écrite du propriétaire. Propriete de c FCI. Droits de reproduction FCI.



All rights strictly reserved. Reproduction or issue to third parties in any form whatever is not permitted without written authority from the proprietor. Property of FCI. Copyright FCI.

PRODUCT NO.	ROWS	POWER		SN		POWER			
		E1	P1	P2	1	2	P3	P4	E2
51730-129... NOTE 3	D C B A								



CODE	DIM "M" MATING LENGTH	CONTACT TYPE
U	[6.86]	SIGNAL
T	[6.86]	SIGNAL
S	[6.86]	SIGNAL
R	[6.86]	SIGNAL
PA	[N/A]	POWER
HA	[N/A]	HOLD-DOWN
H	[5.59]	SIGNAL
E	[5.59]	SIGNAL

mat'l code		SEE NOTE		tolerances unless otherwise specified		CUSTOMER		 www.fciconnect.com	
ltr	ecn no.	dr	date	linear	0.X ± 0.3	COPY		title	
A	DG06-0533	JMG	12/13/06	angles	0.XX ± 0.13	projection		2P + 8S + 2p	
				enr	0.XXX ± 0.051			RIGHT ANGLE SOLDER HEADER	
				chr	0° ± 2°			product family	
				appd	JM GUO 12/13/06			PwrBlade	
					RYAN YUAN 12/13/06	size		code	
					BEER FU 12/13/06	dwg no		213	
					JOSEPH HSIA 12/13/06	A		51730-129	
sheet index		revision sheet	A 1	A 2	A 3	A 4	scale		sheet
			1	2	3	4	1:1		1 of 4

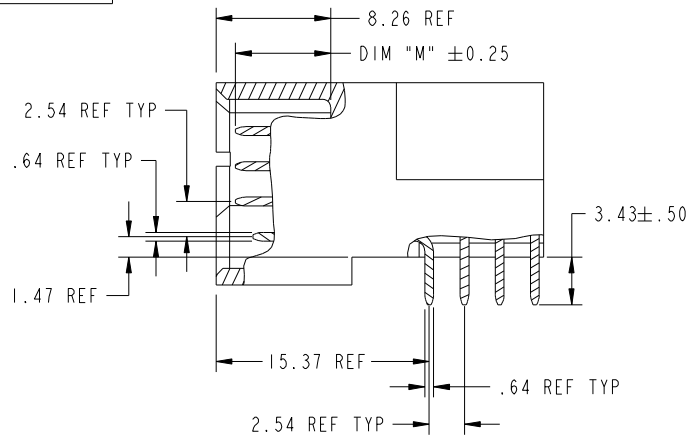
cage code 22526

Tous droits strictement reserves. Reproduction ou communication a des tiers interdite sous quelque forme que ce soit sans autorisation écrite du propriétaire. Propriete de c FCI. Droits de reproduction FCI.

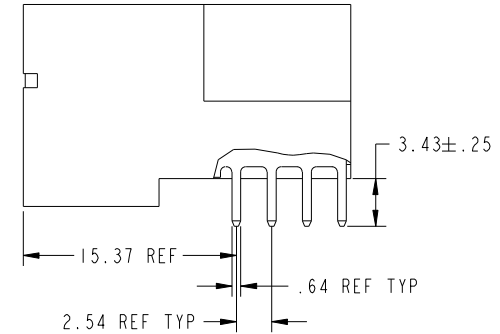
All rights strictly reserved. Reproduction or issue to third parties in any form whatever is not permitted without written authority from the proprietor. Property of FCI. Copyright FCI.



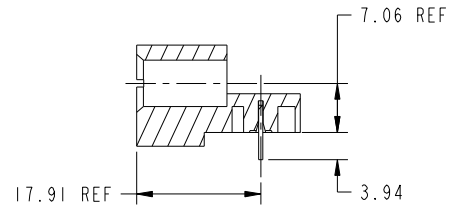
PRODUCT NUMBER
51730-129--
NOTE: 3



BROKEN-OUT SECTION A-A
SCALE 2:1



BROKEN-OUT SECTION B-B
SCALE 2:1



SECTION C-C

mat'l code				SEE NOTE		tolerances unless otherwise specified		CUSTOMER		FCI	
ltr	ecr no.	dr	date	linear	0.X ±0.3	COPY		www.fciconnect.com		title	
A				angles	0.XX ±0.13	projection		2P + 8S + 2p		RIGHT ANGLE SOLDER HEADER	
				dr	0.XXX ±0.051	MIM		product family		PwrBlade	code
				enr	0° ±2°	scale		size		213	sheet
				chr	JM GUO 12/13/06	1:1		dwg no		51730-129	2 of 4
				appd	RYAN YUAN 12/13/06			A			
					BEER FU 12/13/06						
					JOSEPH HSIA 12/13/06						
sheet index	revision sheet										

cage code 22526

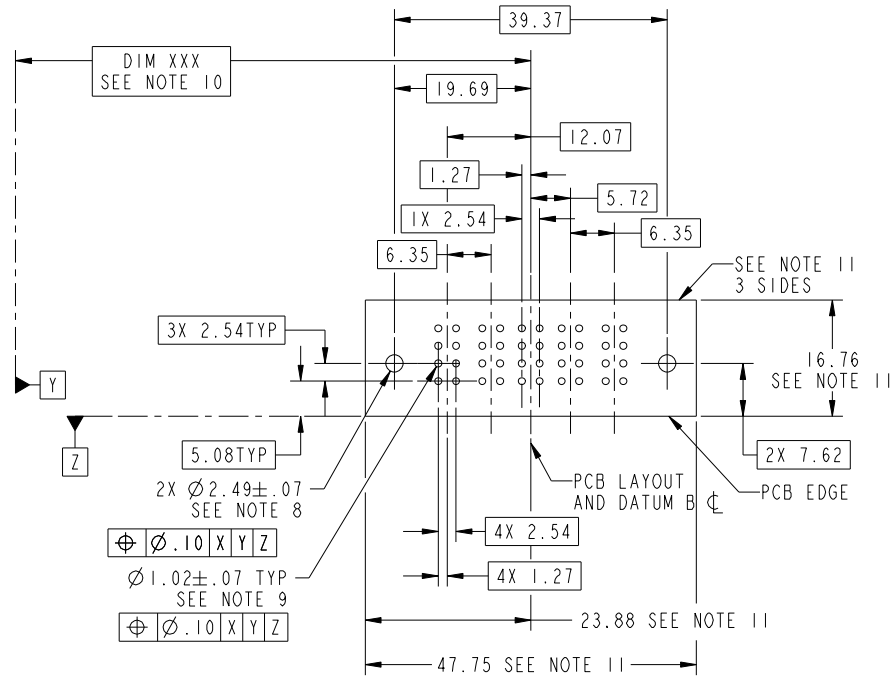
Pro/E

Tous droits strictement reserves. Reproduction ou communication a des tiers interdite sous quelque forme que ce soit sans autorisation écrite du propriétaire. Propriete de c FCI. Droits de reproduction FCI.



All rights strictly reserved. Reproduction or issue to third parties in any form whatever is not permitted without written authority from the proprietor. Property of FCI. Copyright FCI.

PRODUCT NUMBER
51730-129--
NOTE: 3



RECOMMENDED PCB LAYOUT

mat'l code		SEE NOTE		tolerances unless otherwise specified		CUSTOMER		FCI	
ltr	ecn no.	dr	date	linear	0.X ± 0.3	COPY		www.fciconnect.com	
A				angles	0.XX ± 0.13	projection		title	
					0.XXX ± 0.051			2P + 8S + 2p RIGHT ANGLE SOLDER HEADER	
				dr	0° ± 2°	MIM		product family	PwrBlade
				enr	JM GUO 12/13/06	scale		size	code
				chr	RYAN YUAN 12/13/06	1:1		dwg no	213
				appd	BEER FU 12/13/06			A	51730-129
					JOSEPH HSIA 12/13/06				
sheet index	revision sheet								

cage code 22526

Pro/E

Tous droits strictement reserves. Reproduction ou communication a des tiers interdite sous quelque forme que ce soit sans autorisation écrite du propriétaire. Propriete de c FCI. Droits de reproduction FCI.



All rights strictly reserved. Reproduction or issue to third parties in any form whatever is not permitted without written authority from the proprietor. Property of FCI. Copyright FCI.

PRODUCT NUMBER
51730-129--
NOTE: 3

NOTES:

1. DIMENSIONS AND TOLERANCES ARE IN ACCORDANCE WITH ASME Y14.5M, 1994 UNLESS OTHERWISE SPECIFIED.

CONNECTOR NOTES:

- 2. HOUSING MATERIAL: UL 94 V-0 GLASS FILLED HIGH-TEMP THERMOPLASTIC
POWER CONTACT MATERIAL: COPPER ALLOY
SIGNAL PIN MATERIAL: COPPER ALLOY
- 3. 51730-129;51730-129LF;51730-129GLF PLATING SPEC. SEE PRINT:10064183
- 4. MANUFACTURER'S NAME, P/N, AND DATE CODE TO APPEAR ON THIS SURFACE.
- 5. PRODUCT SPECIFICATION GS-12-149.
APPLICATION SPECIFICATION BUS-20-067.
- 6. PACKAGED IN TRAYS.

PCB NOTES:

- 7. ALL HOLE DIAMETERS ARE FINISHED HOLE SIZE.
- 8. MOUNTING HOLES, WHERE APPLICABLE, ARE UNPLATED.
- 9. $\varnothing 1.151 \pm 0.025$ DRILLED HOLES PLATED WITH 0.008 MIN SnPb OR Sn OVER 0.03 TO 0.08 Cu PLATING TO ACHIEVE $\varnothing 1.02 \pm .07$ HOLE.
- 10. "DIM XXX" TO BE DETERMINED BY THE CUSTOMER.
- 11. CONNECTOR KEEP-OUT ZONE.

mat'l code				SEE NOTE	tolerances unless otherwise specified	CUSTOMER	www.fciconnect.com				
ltr	ecn no.	dr	date	linear	0.X ± 0.3	COPY		title 2P + 8S + 2p RIGHT ANGLE SOLDER HEADER			
A					0.XX ± 0.13						
					0.XXX ± 0.051						
				angles	0° ± 2°			product family	PwrBlade	code	
				dr	JM GUO 12/13/06			size	dwg no	213	
				engr	RYAN YUAN 12/13/06			A	51730-129	sheet	4 of 4
				chr	BEER FU 12/13/06					scale	1:1
				appd	JOSEPH HSIA 12/13/06						
sheet index	revision sheet										

cage code 22526

Pro/E

Mouser Electronics

Authorized Distributor

Click to View Pricing, Inventory, Delivery & Lifecycle Information:

[FCI / Amphenol:](#)

[51730-129LF](#)