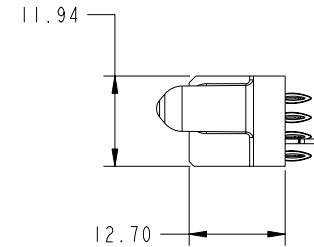
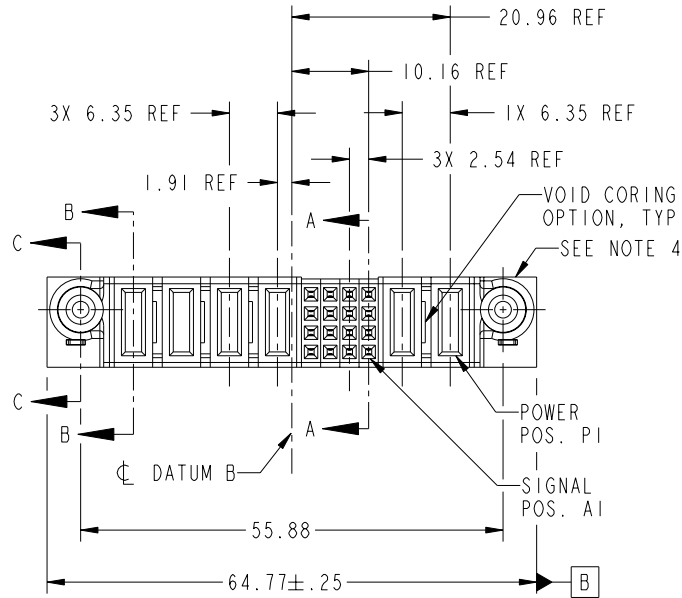


Tous droits strictement réservés. Reproduction ou communication o des tiers interdite sous quelque forme que ce soit sans autorisation écrite du propriétaire. Propriete de c FCI. Droits de reproduction FCI.



All rights strictly reserved. Reproduction or issue to third parties in any form whatever is not permitted without written authority from the proprietor. Property of FCI. Copyright FCI.

PRODUCT NO.	ROWS	POWER				SIGNAL				POWER			
		E2	P6	P5		P4	P3	P2	P1	E1			
51750-077-- NOTE: 3	D C B A		PC	PC	PF	PF	F	F	F	F	PF	PC	



CODE	DIM "M" MATING LENGTH	CONTACT TYPE
PC	[1.07]	POWER
F	[N/A]	SIGNAL
HA	[N/A]	HOLD-DOWN
PF	[2.34]	POWER

mat'l code		SEE NOTES		tolerances unless otherwise specified		CUSTOMER		FCI www.fciconnect.com	
ltr	ecr no.	dr	date	linear	0.x ± 0.3	COPY		title	
A	DG06-0407	JULIA	09/27/06		0.xx ± 0.13	projection		2P + 16S + 4P VERTICAL PRESS FIT RECEPT	
				angles	0.xxx ± .051			product family	
				dr	0° ± 2°	MM		PwrBlade	
				engr	JM GUO 09/27/06	scale		code	
				chr	RYAN YUAN 09/27/06	1:1		213	
				appd	BEER FU 09/27/06			size	
					JOSEPH HSIA 09/27/06			dwg no	
sheet index	revision sheet	A	A	A	A			A 51750-077	
		1	2	3	4			1 of 4	

1 | 2

Pro/E

3 |

cage code 22526

4

PDM: Rev:A

STATUS: Released

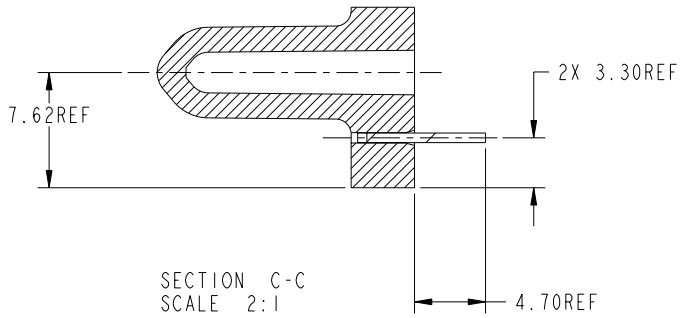
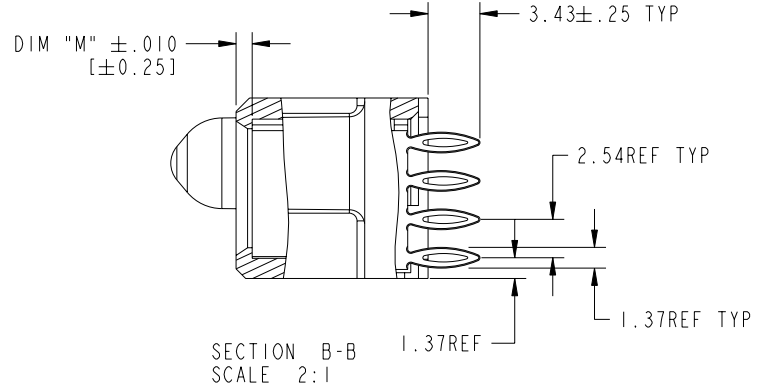
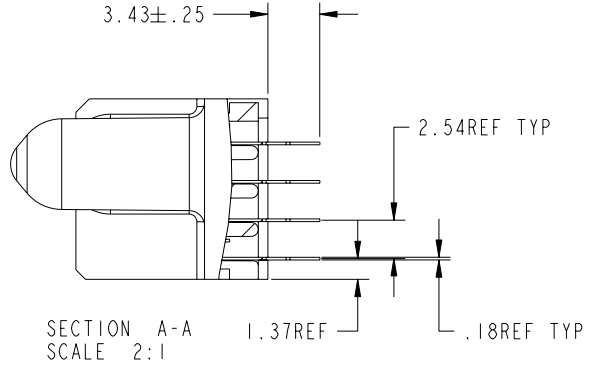
Printed: Dec 20, 2010

Tous droits strictement reserves. Reproduction ou communication a des tiers interdite sous quelque forme que ce soit sans autorisation ecrite du proprietaire. Propriete de c FCI. Droits de reproduction FCI.

All rights strictly reserved. Reproduction or issue to third parties in any form whatever is not permitted without written authority from the proprietor. Property of FCI. Copyright FCI.



PRODUCT NUMBER
51750-077__
NOTE: 3



mat'l code				tolerances unless otherwise specified			CUSTOMER		FCI www.fciconnect.com	
ltr	ecm no.	dr	date	linear	0.X ± 0.3		COPY		title 2P + 16S + 4P VERTICAL PRESS FIT RECEIPT	
A					0.XX ± 0.13		projection			
					0.XXX ± 0.051					
				angles	0° ± 2°				product family PwrBlade code	
				dr	JM GUO	09/27/06	MM		size	213
				enr	RYAN YUAN	09/27/06	← MM →		dwg no	2 of 4
				chr	BEER FU	09/27/06	scale		A	51750-077
				appd	JOSEPH HSIA	09/27/06	1:1			
sheet index	revision sheet									

Pro/E 3 cage code 22526 4

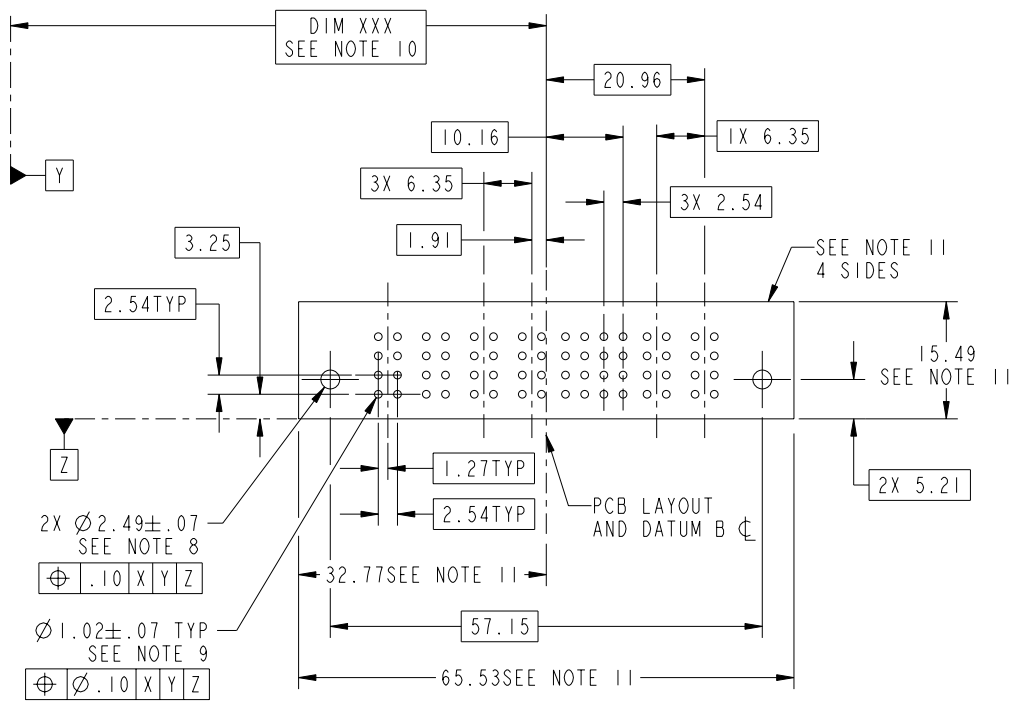
Tous droits strictement reserves. Reproduction ou communication o des tiers interdite sous quelque forme que ce soit sans autorisation ecrite du proprietaire. Propriete de c FCI. Droits de reproduction FCI.



All rights strictly reserved. Reproduction or issue to third parties in any form whatever is not permitted without written authority from the proprietor. Property of FCI. Copyright FCI.

PRODUCT NUMBER

51750-077__
NOTE: 3



2X $\varnothing 2.49 \pm .07$
SEE NOTE 8
 $\oplus .10$ X | Y | Z

$\varnothing 1.02 \pm .07$ TYP
SEE NOTE 9
 $\oplus \varnothing .10$ X | Y | Z

mat'l code				tolerances unless otherwise specified			CUSTOMER		FCI		www.fciconnect.com	
ltr	ecr no.	dr	date	linear	0.X ± 0.3		COPY		projection	title		
A					0.XX ± 0.13		MM			2P + 16S + 4P		
					0.XXX ± .051		1:1			VERTICAL PRESS FIT RECEIPT		
				angles	0° ± 2°				product family		code	
				dr	JM GUO	09/27/06			PwrBlade		213	
				enr	RYAN YUAN	09/27/06			size	dwg no	sheet	
				chr	BEER FU	09/27/06			A	51750-077	3 of 4	
				appd	JOSEPH HSIA	09/27/06						
sheet index	revision sheet											

cage code 22526

Pro/E

Tous droits strictement reserves. Reproduction ou communication o des liers interdite sous quelque forme que ce soit sans autorisation ecrite du proprietaire. Propriete de c FCI. Droits de reproduction FCI.



All rights strictly reserved. Reproduction or issue to third parties in any form whatever is not permitted without written authority from the proprietor. Property of FCI. Copyright FCI.

PRODUCT NUMBER

51750-077__
NOTE: 3

NOTES:

1. DIMENSIONS AND TOLERANCES ARE IN ACCORDANCE WITH ASME Y14.5M, 1994 UNLESS OTHERWISE SPECIFIED.

CONNECTOR NOTES:

- 2 HOUSING MATERIAL: UL 94 V-0 GLASS FILLED
HIGH-TEMP THERMOPLASTIC
POWER CONTACT MATERIAL: COPPER ALLOY
SIGNAL PIN MATERIAL: COPPER ALLOY
- 3. PLATING SPEC.
51750-077,51750-077LF PLATING SPEC. WAS SHOWN IN THE PRINT OF 10064183.
- 4 MANUFACTURER'S NAME, P/N, AND DATE CODE TO APPEAR ON THIS SURFACE.
- 5. PRODUCT SPECIFICATION GS-12-149.
APPLICATION SPECIFICATION BUS-20-067.
- 6. PACKAGED IN TRAYS.

PCB NOTES:

- 7. ALL HOLE DIAMETERS ARE FINISHED HOLE SIZE.
- 8 MOUNTING HOLES, WHERE APPLICABLE, ARE UNPLATED.
- 9 $\varnothing 1.151 \pm 0.025$ DRILLED HOLES PLATED WITH
0.008 MIN SnPb OR Sn OVER 0.03
TO 0.08 Cu PLATING TO ACHIEVE
 $\varnothing 1.02 \pm .07$ HOLE.
- 10 "DIM XXX" TO BE DETERMINED BY THE CUSTOMER.
- 11 CONNECTOR KEEP-OUT ZONE.

mat'l code				tolerances unless otherwise specified		CUSTOMER		FCI www.fciconnect.com	
ltr	ecn no.	dr	date	linear	0.X ± 0.3	COPY		title	
A					0.XX ± 0.13	projection		2P + 16S + 4P	
				angles	0.XXX ± .051			VERTICAL PRESS FIT RECEIPT	
				dr	JM GUO 09/27/06	MM		product family PwrBlade code	
				enr	RYAN YUAN 09/27/06			size 213	
				chr	BEER FU 09/27/06	scale		sheet	
				appd	JOSEPH HSIA 09/27/06	1:1		4 of 4	
sheet index	revision sheet								



www.fciconnect.com



MM

scale

1:1

product family PwrBlade code
size 213
A 51750-077 sheet
4 of 4

cage code 22526

Pro/E

PDM: Rev:A

STATUS: Released

Printed: Dec 20, 2010

Mouser Electronics

Authorized Distributor

Click to View Pricing, Inventory, Delivery & Lifecycle Information:

[FCI / Amphenol:](#)

[51750-077](#) [51750-077LF](#)