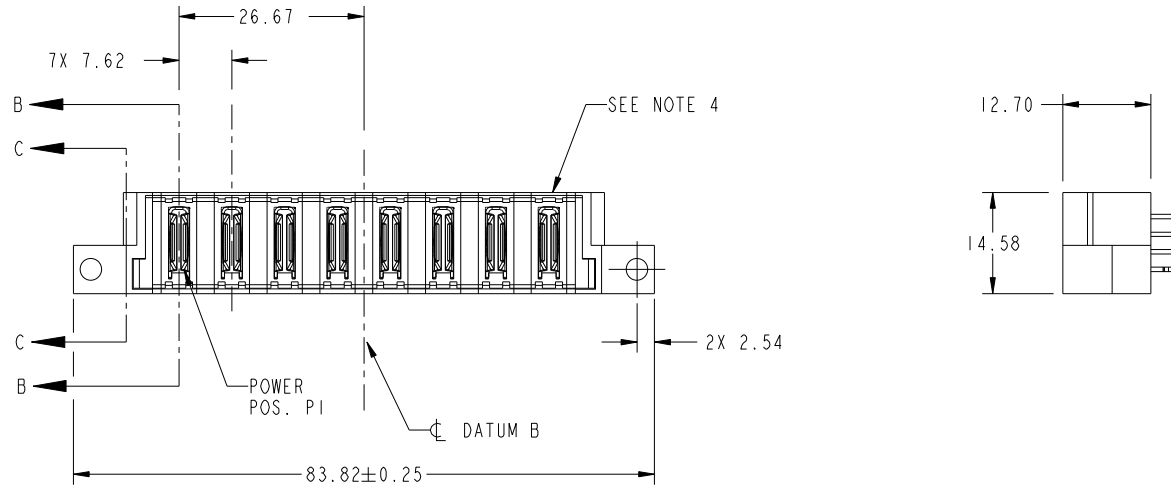


Tous droits strictement réservés. Reproduction ou communication a des tiers interdite sous quelque forme que ce soit sans autorisation écrite du propriétaire. Propriété de c FCI. Droits de reproduction FCI.

All rights strictly reserved. Reproduction or issue to third parties in any form whatever is not permitted without written authority from the proprietor. Property of FCI. Copyright FCI.



|                                    |       |    |    |    |    |    |    |    |    |    |
|------------------------------------|-------|----|----|----|----|----|----|----|----|----|
| PRODUCT NO.<br>51963-067<br>NOTE ③ | POWER |    |    |    |    |    |    |    | E2 |    |
|                                    | E1    | P1 | P2 | P3 | P4 | P5 | P6 | P7 |    | P8 |
|                                    | HA    | PA | PA | PA | PA | PA | PA | PA | PA |    |



| CODE | DIM "M" MATING LENGTH | CONTACT TYPE |
|------|-----------------------|--------------|
| PA   | [N/A]                 | POWER        |
| HA   | [N/A]                 | HOLD-DOWN    |

|             |           |                |          |                                       |             |          |            |  |                             |  |
|-------------|-----------|----------------|----------|---------------------------------------|-------------|----------|------------|--|-----------------------------|--|
| mat'l code  |           |                |          | tolerances unless otherwise specified |             |          | CUSTOMER   |  | FCI                         |  |
| ltr         | ecn no.   | dr             | date     | linear                                | 0.X ± 0.5   |          | COPY       |  | www.fciconnect.com          |  |
| A           | DG10-0382 | AL             | 11/08/10 |                                       | 0.XX ± 0.25 |          | projection |  | title                       |  |
|             |           |                |          |                                       | 0.XXX ± 0.1 |          |            |  | 8ACP<br>VERTICAL STB HEADER |  |
|             |           |                |          | angles                                | 0° ± 2°     |          |            |  | product family              |  |
|             |           |                |          | dr                                    | Anson Liu   | 11/08/10 |            |  | PwrBlade                    |  |
|             |           |                |          | enr                                   | Anson Liu   | 11/08/10 | size       |  | code                        |  |
|             |           |                |          | chr                                   | Anson Liu   | 11/08/10 | dwg no     |  | 213                         |  |
|             |           |                |          | appd                                  | Jerome Chen | 11/08/10 | 51963-067  |  | sheet                       |  |
| sheet index |           | revision sheet | A 1      | A 2                                   | A 3         | A 4      | A          |  | 1 of 4                      |  |
|             |           |                |          |                                       |             |          | scale      |  | 1:1                         |  |

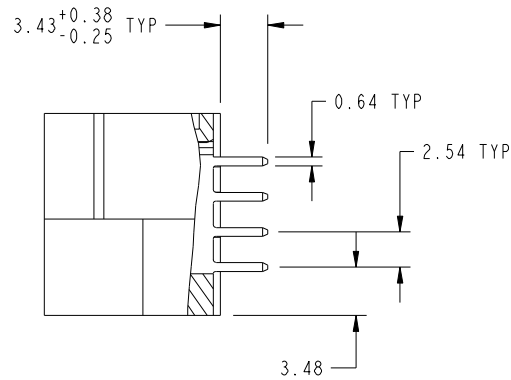
cage code 22526

Tous droits strictement reserves. Reproduction ou communication a des tiers interdite sous quelque forme que ce soit sans autorisation ecrite du proprietaire. Propriete de c FCI. Droits de reproduction FCI.

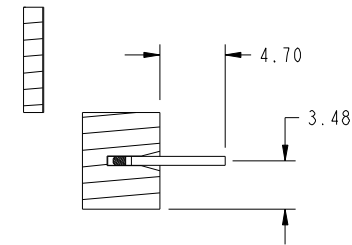


All rights strictly reserved. Reproduction or issue to third parties in any form whatever is not permitted without written authority from the proprietor. Property of FCI. Copyright FCI.

PRODUCT NUMBER  
51963-067\_\_  
NOTE 3



SECTION B-B  
SCALE 2:1



SECTION C-C  
SCALE 2:1

|             |         |                |      |                                       |                |            |                     |                    |           |     |
|-------------|---------|----------------|------|---------------------------------------|----------------|------------|---------------------|--------------------|-----------|-----|
| mat'l code  |         |                |      | tolerances unless otherwise specified |                |            | CUSTOMER            |                    | FCI       |     |
| ltr         | ecn no. | dr             | date | linear                                | COPY           |            |                     | www.fciconnect.com |           |     |
| A           |         |                |      |                                       | 0.X ± 0.5      | projection | title               |                    | 8ACP      |     |
|             |         |                |      |                                       | 0.XX ± 0.25    |            | VERTICAL STB HEADER |                    |           |     |
|             |         |                |      | 0.XXX ± 0.1                           | product family |            | PwrBlade            |                    | code      |     |
|             |         |                |      | angles                                | MIM            |            |                     | size               |           | 213 |
|             |         |                |      | dr                                    | Anson Liu      | 11/08/10   | scale               |                    | sheet     |     |
|             |         |                |      | enr                                   | Anson Liu      | 11/08/10   | 1:1                 |                    | 2 of 4    |     |
|             |         |                |      | chr                                   | Anson Liu      | 11/08/10   | A                   |                    | 51963-067 |     |
|             |         |                |      | appd                                  | Jerome Chen    | 11/08/10   |                     |                    |           |     |
| sheet index |         | revision sheet |      |                                       |                |            |                     |                    |           |     |

cage code 22526

Pro/E

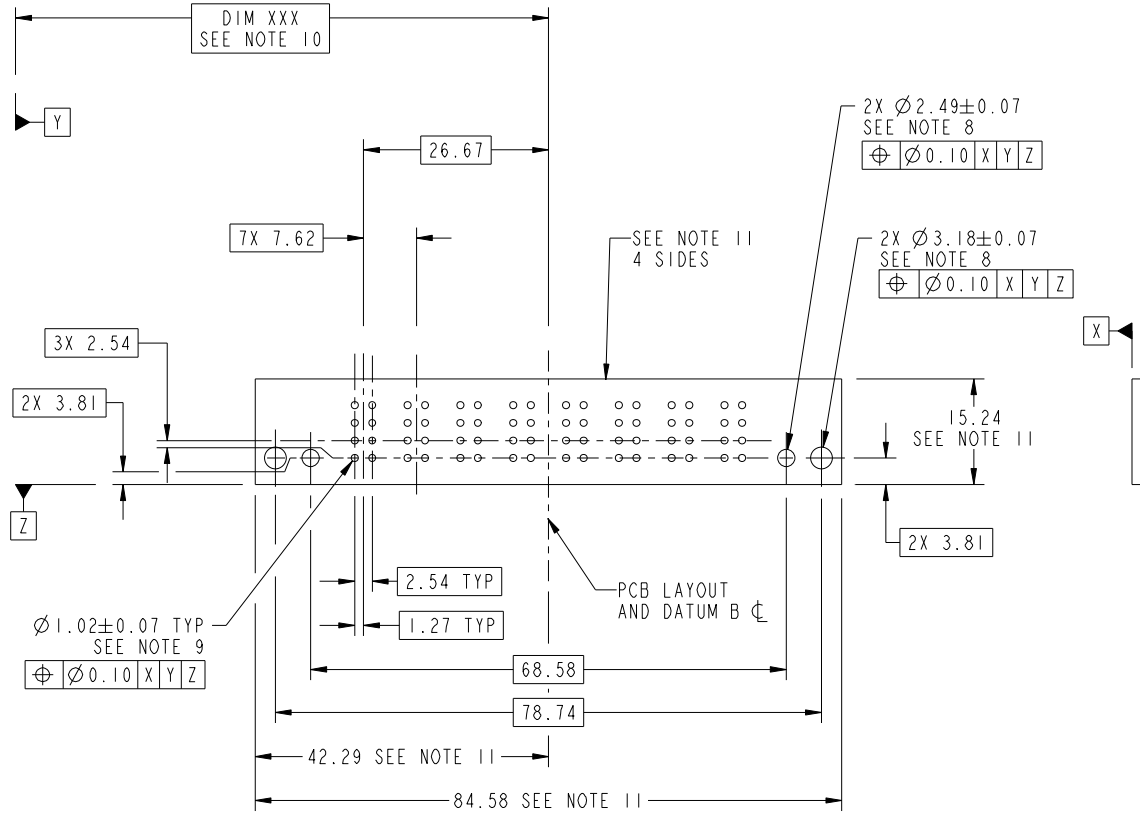
Tous droits strictement reserves. Reproduction ou communication a des tiers interdite sous quelque forme que ce soit sans autorisation écrite du propriétaire. Propriete de c FCI. Droits de reproduction FCI.



All rights strictly reserved. Reproduction or issue to third parties in any form whatever is not permitted without written authority from the proprietor. Property of FCI. Copyright FCI.

PRODUCT NUMBER  
51963-067\_\_  
NOTE 3

1 | 2 | 3 | 4



RECOMMENDED PCB LAYOUT

|             |                |    |      |                                       |             |          |          |  |                |                     |                    |  |
|-------------|----------------|----|------|---------------------------------------|-------------|----------|----------|--|----------------|---------------------|--------------------|--|
| mat'l code  |                |    |      | tolerances unless otherwise specified |             |          | CUSTOMER |  | FCI            |                     | www.fciconnect.com |  |
| ltr         | ecn no.        | dr | date | linear                                | 0.X ± 0.5   |          | COPY     |  | projection     | title               |                    |  |
| A           |                |    |      |                                       | 0.XX ± 0.25 |          | MIM      |  |                | 8ACP                |                    |  |
|             |                |    |      |                                       | 0.XXX ± 0.1 |          | ←        |  |                | VERTICAL STB HEADER |                    |  |
|             |                |    |      | angles                                | 0° ± 2°     |          | scale    |  | product family |                     | code               |  |
|             |                |    |      | dr                                    | Anson Liu   | 11/08/10 | 1:1      |  | PwrBlade       |                     | 213                |  |
|             |                |    |      | enr                                   | Anson Liu   | 11/08/10 |          |  | size           |                     | sheet              |  |
|             |                |    |      | chr                                   | Anson Liu   | 11/08/10 |          |  | dwg no         |                     | 3 of 4             |  |
|             |                |    |      | appd                                  | Jerome Chen | 11/08/10 |          |  | A              |                     | 51963-067          |  |
| sheet index | revision sheet |    |      |                                       |             |          |          |  |                |                     |                    |  |

cage code 22526

Pro/E

1 | 2

3 |

4

Tous droits strictement reserves. Reproduction ou communication a des tiers interdite sous quelque forme que ce soit sans autorisation écrite du propriétaire. Propriete de c FCI. Droits de reproduction FCI.



All rights strictly reserved. Reproduction or issue to third parties in any form whatever is not permitted without written authority from the proprietor. Property of FCI. Copyright FCI.

PRODUCT NUMBER  
51963-067\_  
NOTE 3

NOTES:

1. DIMENSIONS AND TOLERANCES ARE IN ACCORDANCE WITH ASME Y14.5M, 1994 UNLESS OTHERWISE SPECIFIED.

CONNECTOR NOTES:

- 2 HOUSING MATERIAL: UL 94 V-0 GLASS FILLED HIGH-TEMP THERMOPLASTIC  
POWER CONTACT MATERIAL: COPPER ALLOY  
SIGNAL PIN MATERIAL: COPPER ALLOY
- 3. SEE ITEM 3 & 4 IN PRINT 10064183 FOR PLATING SPEC OF 51963-067 AND 51963-067LF RESPECTIVELY.
- 4 MANUFACTURER'S NAME, DATE CODE AND OPTIONAL P/N TO APPEAR ON THIS SURFACE. THE P/N CAN BE OMITTED IF THERE IS NOT ENOUGH SPACE ON THIS SURFACE.
- 5. PRODUCT SPECIFICATION GS-12-149.  
APPLICATION SPECIFICATION BUS-20-067.
- 6. PACKAGED IN TRAYS.

PCB NOTES:

- 7. ALL HOLE DIAMETERS ARE FINISHED HOLE SIZE.
- 8. MOUNTING HOLES, WHERE APPLICABLE, ARE UNPLATED.
- 9  $\varnothing 1.151 \pm 0.025$  DRILLED HOLES PLATED WITH 0.008 MIN SnPb OR Sn OVER .001 [0.03] TO 0.08 Cu PLATING TO ACHIEVE  $\varnothing 1.02 \pm 0.07$  HOLE.
- 10 "DIM XXX" TO BE DETERMINED BY THE CUSTOMER.
- 11 CONNECTOR KEEP-OUT ZONE.

|             |         |                |      |                                       |             |          |          |      |          |                |                     |  |
|-------------|---------|----------------|------|---------------------------------------|-------------|----------|----------|------|----------|----------------|---------------------|--|
| mat'l code  |         |                |      | tolerances unless otherwise specified |             |          | CUSTOMER |      | FCI      |                | www.fciconnect.com  |  |
| ltr         | ecr no. | dr             | date | linear                                | 0.X ± 0.5   |          |          | COPY |          | projection     | title               |  |
| A           |         |                |      |                                       | 0.XX ± 0.25 |          |          | MIM  |          |                | 8ACP                |  |
|             |         |                |      |                                       | 0.XXX ± 0.1 |          |          | ←    |          |                | VERTICAL STB HEADER |  |
|             |         |                |      | angles                                | 0° ± 2°     |          |          | MIM  |          | product family |                     |  |
|             |         |                |      | dr                                    | Anson Liu   | 11/08/10 | ←        |      | PwrBlade |                | code                |  |
|             |         |                |      | enr                                   | Anson Liu   | 11/08/10 | ←        |      | size     |                | 213                 |  |
|             |         |                |      | chr                                   | Anson Liu   | 11/08/10 | ←        |      | dwg no   |                | sheet               |  |
|             |         |                |      | appd                                  | Jerome Chen | 11/08/10 | ←        |      | A        |                | 4 of 4              |  |
| sheet index |         | revision sheet |      | scale                                 |             | 1:1      |          | A    |          | 51963-067      |                     |  |

cage code 22526

Pro/E

# Mouser Electronics

Authorized Distributor

Click to View Pricing, Inventory, Delivery & Lifecycle Information:

[FCI / Amphenol:](#)

[51963-067LF](#)