

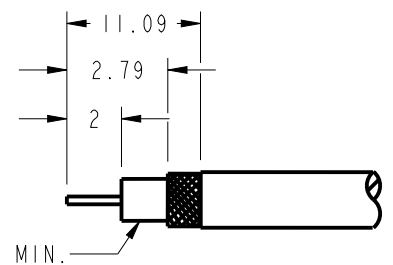
NOTES:

1. MATERIALS AND FINISHES:  
 BODY, BARREL, & SLEEVE - BRASS, ALBALOY PLATING  
 FERRULE - COPPER, ALBALOY PLATING  
 CONTACT - BRASS, GOLD PLATING  
 OUTER CONTACT - PHOSPHOR BRONZE, ALBALOY PLATING  
 INSULATOR - PTFE, NATURAL
2. ELECTRICAL:  
 A. IMPEDANCE: 50 OHM  
 B. FREQUENCY RANGE: DC - 6 GHz  
 C. DIELECTRIC WITHSTANDING VOLTAGE: 1000 VRMS, MIN.
3. MECHANICAL:  
 A. DURABILITY: 100 CYCLES MIN.  
 B. TEMPERATURE RANGE: -40° C TO +85° C
4. PACKAGING:  
 A. QUANTITY: SINGLE PACK  
 B. MARKING: BAG TO BE MARKED  
 "AMPHENOL RF, 134104, AND DATE CODE"
5. RECOMMENDED CABLE ASSEMBLY INSTRUCTIONS:  
 A. TRIM CABLE AS SHOWN.  
 B. SOLDER CABLE CENTER CONDUCTOR TO CONTACT.  
 C. INSERT CABLE WITH FOIL ENTERING CONNECTOR AND BRAID OVER KNURL.  
 D. CRIMP FERRULE OVER BRAID WITH 0.255" HEX DIE.

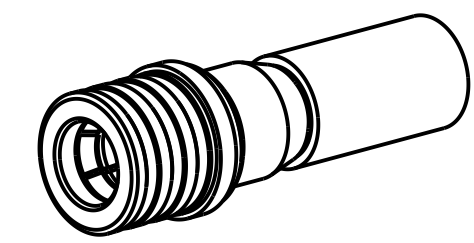
THIRD ANGLE PROJ.

REVISIONS

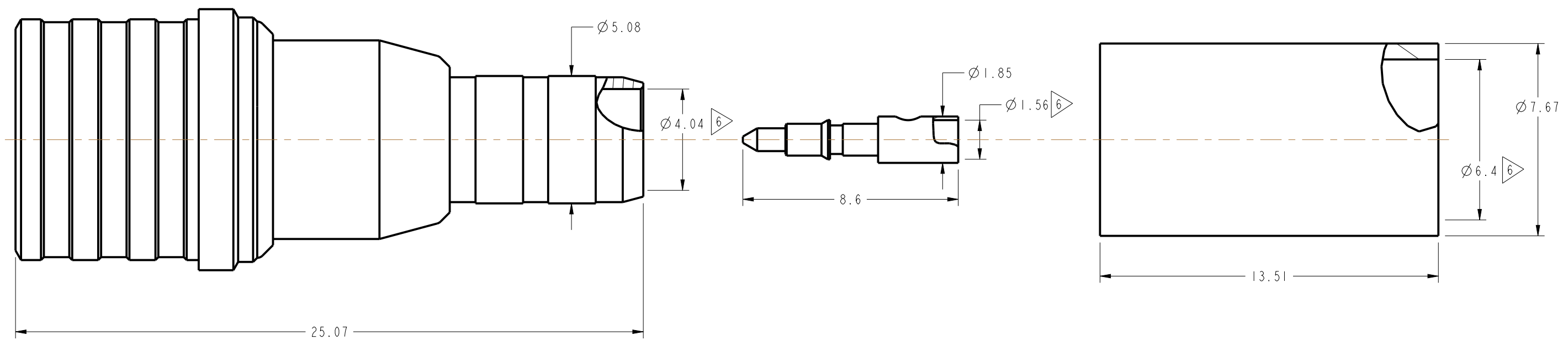
REV	DESCRIPTION	DATE	ECO	APPR
B	NO. 2 WAS CHANGED \RD-DM06072801C	08-14-06	--	--
C	NO. 5 WAS CHANGED \RD-DM06121501J	12-19-06	--	--
D	NO. 5 WAS CHANGED \RD-DM07060601K	06-12-07	--	--
E	RE-DRAW IN PRO-E, REVISE BODY FOR ADDITIONAL INSULATOR RETENTION	12/15/16	02649	KCE



RECOMMENDED CABLE STRIPPING DIM'S  
NOT TO SCALE



SHOWS CABLE ENTRY DIMENSIONS.



**CUSTOMER OUTLINE DRAWING**

ALL OTHER SHEETS ARE FOR INTERNAL USE ONLY

UNLESS OTHERWISE SPECIFIED, DIMENSIONS ARE IN METRIC AND TOLERANCES ARE: <0.5mm ±0.05mm    0.5 - 6mm ±0.1mm    6 - 30mm ±0.2mm    30 - 120mm ±0.3mm    ANGLES ±1°	MATERIAL	DRAWN	DATE	TITLE	Amphenol RF www.amphenolrf.com	
	SEE BOM	K. ELMES	08-Dec-16	QMA 50 OHM PLUG		
	REFERENCE	ENGINEER	DATE	SCALE: 2.0:1.0	SHEET 2 OF 2	DRAWING NO. QMA1121A1-AT30GS-LMR240-50
	CONFIGURATION LEVEL: In Work	APPROVED	DATE	DWG SIZE	REV	ITEM NO. 701121AAAA1AR5F
FINISH	K. CAPOZZI	12/15/16	B	E	PART NO. 134104	

# Mouser Electronics

Authorized Distributor

Click to View Pricing, Inventory, Delivery & Lifecycle Information:

[Amphenol:](#)

[134104](#)