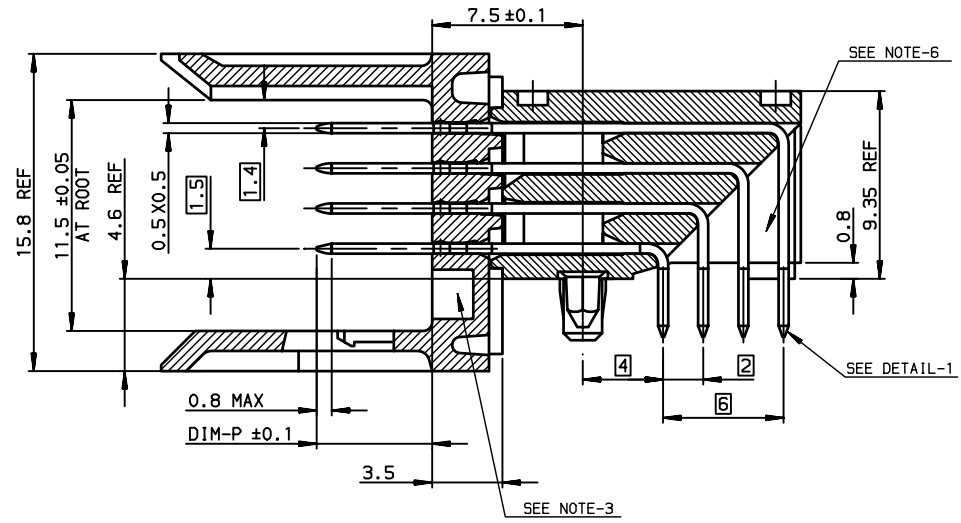


NOTE-1: NORMINATIVE REF = IEC-61076-4-104
 NOTE-2: ONE CENTER PEG FOR HOLD DOWN FORCE
 NOTE-3: CODING RECESS FOR 8MM EXTENDED KEYS
 NOTE-4: PRODUCT MARKING = FCI + BATCH CODE + PRODUCT NUMBER
 FOR 4 MODULE SIZE, ADD CSA LOGO MARKING
 NOTE-6: CENTRAL WALL WITH END REAR SUPPORT
 NOTE-7: PACKAGING IN TRAY + COVER
 IF SUFFIX "P" IS ADDED IN P/N PACKAGING IS IN TRAYS
 BUT CONNECTOR MARKING IS WITHOUT "P"
 EXAMPLE: HM1XXXXXXXXXHG6P, MARKED HM1XXXXXXXXXHG6

SECTION-A SCALE: 4/1



GENERAL CHARACTERISTICS AND ROHS INFORMATIONS:
 SEE PRODUCT SPECIFICATION GS-12-445

OTHERS INFORMATIONS, SEE DRW C-8626-0152-2

European Views

| rev | ecn no | dr | date |
|-----|-----------|-----|------------|
| G | - | CHA | 2003/07/09 |
| H | LS05-0056 | MLE | 2005/06/03 |
| J | LS06-0097 | LGO | 2006/07/12 |
| K | LS07-0184 | MLE | 2007/07/24 |
| L | LS08-0125 | MLE | 2008/05/13 |
| - | - | - | - |
| - | - | - | - |

| | | | | |
|--|----------|-----------------------|-----------------------------------|-------------------------|
| www.fciconnect.com | | surface ISO 1302 ✓ | tolerance std ISO 406 ISO 1101 | projection mm |
| TOLERANCES UNLESS OTHERWISE SPECIFIED | | | | size A3 |
| Dr | CHAMPION | 1994/04/05 | 0.X | ± 0.1 |
| Eng | LENOIR | 1994/04/05 | 0.XX | ± 0.1 |
| Chr | LEGARE | 1994/04/05 | 0.XXX | ± 0.1 |
| Appr | LEGARE | 1994/04/05 | 0.XX' ± 2' | ECN LS08-0125 |
| Product family | | | METRAL | Spec ref - |
| title METRAL RA HDR WB CONVERGE | | | | Rev. L |
| catalog no 4X24 CTS - PF - PUSH PEG | | | | dwg no C-8626-0152-1 |
| CUSTOMER | | | | sheet 1 of 2 |

Copyright FCI. FCI

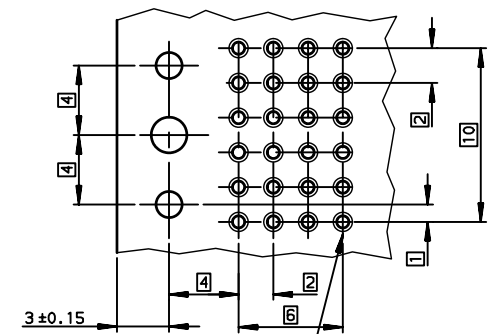
TIN LEAD PART NUMBER

LEAD-FREE PART NUMBER

| PART NUMBER / CONTACT LOADING | | | | | | | | SP N° |
|-------------------------------|-------|-------|-------|---------------------------|----------------|--|-----|-------|
| DIM-P ±0.10 | | | | P/N AND PERFORMANCE LEVEL | | | | |
| ROW-A | ROW-B | ROW-C | ROW-D | TRAY PACKAGING | TUBE PACKAGING | | | |
| 5.00 | 5.00 | 5.00 | 5.00 | HM1L43ADP000H6P | HM1L43ADP000H6 | | | |
| 5.75 | 5.75 | 5.75 | 5.75 | HM1L43LDP000H6P | | | | |
| 6.50 | 6.50 | 6.50 | 6.50 | HM1L43DDP000H6P | | | | |
| 6.50 | 5.00 | 5.00 | 5.00 | HM1L43BDP000H6P | | | | |
| 6.50 | 5.75 | 5.75 | 6.50 | HM1L43CDP000H6P | | | | |
| 5.00 | 5.00 | 6.50 | 5.00 | HM1L43ZDP110H6P | | | 110 | |
| 5.00 | 5.75 | 6.50 | 5.00 | HM1L43ZDP430H6P | | | 430 | |
| 5.00 | 5.75 | 5.00 | 5.00 | HM1L43ZDP448H6P | | | 448 | |
| | | | | | | | | |
| | | | | | | | | |
| 5.75 | 5.00 | 5.00 | 5.00 | HM1L43ZDP009H6P | | | 009 | |
| 5.75 | 6.50 | 5.75 | 5.00 | HM1L43ZDP424H6P | | | 424 | |
| | | | | | | | | |
| | | | | | | | | |
| 6.50 | 5.75 | 6.50 | 5.75 | HM1L43ZDP037H6P | | | 037 | |
| 6.50 | 5.75 | 5.00 | 5.75 | HM1L43ZDP102H6P | | | 102 | |
| 6.50 | 6.50 | 6.50 | 5.75 | HM1L43ZDP135H6P | | | 135 | |
| 6.50 | 5.75 | 5.75 | 5.75 | HM1L43ZDP369H6P | | | 369 | |
| | | | | | | | | |
| | | | | | | | | |
| | | | | | | | | |
| | | | | | | | | |
| | | | | | | | | |
| 8.00 | 6.50 | 6.50 | 6.50 | HM1L43ZDPA07H6P | | | A07 | |

| PART NUMBER / CONTACT LOADING | | | | | | | | SP N° |
|-------------------------------|-------|-------|-------|---------------------------|-------------------|--|-----|-------|
| DIM-P ±0.10 | | | | P/N AND PERFORMANCE LEVEL | | | | |
| ROW-A | ROW-B | ROW-C | ROW-D | TRAY PACKAGING | TUBE PACKAGING | | | |
| 5.00 | 5.00 | 5.00 | 5.00 | HM1L43ADP000H6PLF | HM1L43ADP000H6LFL | | | |
| 5.75 | 5.75 | 5.75 | 5.75 | HM1L43LDP000H6PLF | | | | |
| 6.50 | 6.50 | 6.50 | 6.50 | HM1L43DDP000H6PLF | | | | |
| 6.50 | 5.00 | 5.00 | 5.00 | HM1L43BDP000H6PLF | | | | |
| 6.50 | 5.75 | 5.75 | 6.50 | HM1L43CDP000H6PLF | | | | |
| 5.00 | 5.00 | 6.50 | 5.00 | HM1L43ZDP110H6PLF | | | 110 | |
| 5.00 | 5.75 | 6.50 | 5.00 | HM1L43ZDP430H6PLF | | | 430 | |
| 5.00 | 5.75 | 5.00 | 5.00 | HM1L43ZDP448H6PLF | | | 448 | |
| | | | | | | | | |
| | | | | | | | | |
| 5.75 | 5.00 | 5.00 | 5.00 | HM1L43ZDP009H6PLF | | | 009 | |
| 5.75 | 6.50 | 5.75 | 5.00 | HM1L43ZDP424H6PLF | | | 424 | |
| | | | | | | | | |
| | | | | | | | | |
| 6.50 | 5.75 | 6.50 | 5.75 | HM1L43ZDP037H6PLF | | | 037 | |
| 6.50 | 5.75 | 5.00 | 5.75 | HM1L43ZDP102H6PLF | | | 102 | |
| 6.50 | 6.50 | 6.50 | 5.75 | HM1L43ZDP135H6PLF | | | 135 | |
| 6.50 | 5.75 | 5.75 | 5.75 | HM1L43ZDP369H6PLF | | | 369 | |
| | | | | | | | | |
| | | | | | | | | |
| | | | | | | | | |
| | | | | | | | | |
| | | | | | | | | |
| 8.00 | 6.50 | 6.50 | 6.50 | HM1L43ZDPA07H6PLF | | | A07 | |

RECOMMENDED PCB LAYOUT PER 12MM LENGTH

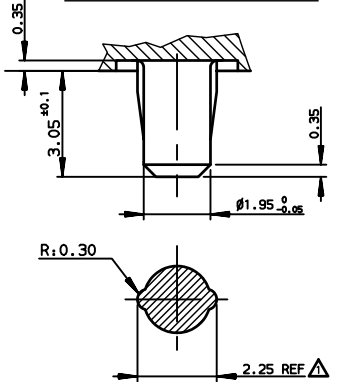


Hole according to product spec
6S-12-445 (for press-fit),
6S-12-446 (for STB)

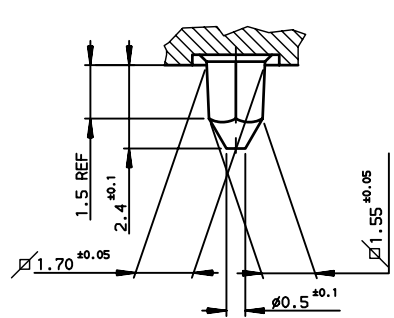
STANDARD MATING LENGTHS = 5.75 (AND 5.00-6.50)

STANDARD MATING LENGTHS = 5.75 (AND 5.00-6.50)

DETAIL OF CENTRAL PEG SCALE 8/1



DETAIL OF LOCATING PEGS (2x) SCALE 8/1



European Views

| www.fciconnect.com | | surface ISO 1302 | tolerance std ISO 406 ISO 1101 | projection mm | size A3 | Scale 4 | | | | | | | | | | | | | | | | | | | | | | | | | | | | | | | |
|---|-----------|---------------------------------------|-----------------------------------|------------------|------------|---------------|---|-----|------------|---|-----------|-----|------------|---|-----------|-----|------------|---|-----------|-----|------------|---|-----------|-----|------------|---|---|---|---|---|---|---|---|--|--|------------------------|-----------|
| Dr CHAMPION 1994/04/05 | | TOLERANCES UNLESS OTHERWISE SPECIFIED | | ANGULAR | 0.X ±0.1 | ECN LS08-0125 | | | | | | | | | | | | | | | | | | | | | | | | | | | | | | | |
| Eng LENOIR 1994/04/05 | | | | LINEAR | 0.XX ±0.1 | Spec ref - | | | | | | | | | | | | | | | | | | | | | | | | | | | | | | | |
| Chr LEGARE 1994/04/05 | | | | 0.XX' ±2' | 0.XXX ±0.1 | | | | | | | | | | | | | | | | | | | | | | | | | | | | | | | | |
| Appr LEGARE 1994/04/05 | | Product family | | METRAL | | | | | | | | | | | | | | | | | | | | | | | | | | | | | | | | | |
| <table border="1"> <thead> <tr><th>rev</th><th>ecn no</th><th>dr</th><th>date</th></tr> </thead> <tbody> <tr><td>F</td><td>-</td><td>CHA</td><td>2003/03/17</td></tr> <tr><td>H</td><td>LS05-0056</td><td>MLE</td><td>2005/06/06</td></tr> <tr><td>J</td><td>LS06-0097</td><td>LGO</td><td>2006/07/12</td></tr> <tr><td>K</td><td>LS07-0184</td><td>MLE</td><td>2007/07/24</td></tr> <tr><td>L</td><td>LS08-0125</td><td>MLE</td><td>2008/05/13</td></tr> <tr><td>-</td><td>-</td><td>-</td><td>-</td></tr> <tr><td>-</td><td>-</td><td>-</td><td>-</td></tr> </tbody> </table> | | rev | ecn no | dr | date | F | - | CHA | 2003/03/17 | H | LS05-0056 | MLE | 2005/06/06 | J | LS06-0097 | LGO | 2006/07/12 | K | LS07-0184 | MLE | 2007/07/24 | L | LS08-0125 | MLE | 2008/05/13 | - | - | - | - | - | - | - | - | METRAL RA HDR WB CONVERGE 4X24 CTS - PF - PUSH PEG | | title C-8626-0152-2 | Rev. L |
| rev | ecn no | dr | date | | | | | | | | | | | | | | | | | | | | | | | | | | | | | | | | | | |
| F | - | CHA | 2003/03/17 | | | | | | | | | | | | | | | | | | | | | | | | | | | | | | | | | | |
| H | LS05-0056 | MLE | 2005/06/06 | | | | | | | | | | | | | | | | | | | | | | | | | | | | | | | | | | |
| J | LS06-0097 | LGO | 2006/07/12 | | | | | | | | | | | | | | | | | | | | | | | | | | | | | | | | | | |
| K | LS07-0184 | MLE | 2007/07/24 | | | | | | | | | | | | | | | | | | | | | | | | | | | | | | | | | | |
| L | LS08-0125 | MLE | 2008/05/13 | | | | | | | | | | | | | | | | | | | | | | | | | | | | | | | | | | |
| - | - | - | - | | | | | | | | | | | | | | | | | | | | | | | | | | | | | | | | | | |
| - | - | - | - | | | | | | | | | | | | | | | | | | | | | | | | | | | | | | | | | | |
| catalog no | | CUSTOMER | | sheet 2 of 2 | | | | | | | | | | | | | | | | | | | | | | | | | | | | | | | | | |

Copyright FCI.

Mouser Electronics

Authorized Distributor

Click to View Pricing, Inventory, Delivery & Lifecycle Information:

[FCI / Amphenol:](#)

[HM1L43ADP000H6PLF](#) [HM1L43DDP000H6PLF](#) [HM1L43LDP000H6PLF](#) [HM1L43ZDP009H6PLF](#)
[HM1L43ADP000H6LF](#)