

Cable connector - RC-06S1N12T0K5 - 1593961

Please be informed that the data shown in this PDF Document is generated from our Online Catalog. Please find the complete data in the user's documentation. Our General Terms of Use for Downloads are valid (<http://phoenixcontact.com/download>)


Cable connector, angled, shielded: yes, Screw locking, M23, No. of pos.: 6, type of contact: Socket, Solder connection



The figure shows the 12-pos. product version



Key Commercial Data

| | |
|--------------|---|
| Packing unit | 8 pc |
| GTIN |  4 046356 198783 |
| GTIN | 4046356198783 |

Technical data

Data of the insulating body

| | |
|--|----------------------|
| Coding | N |
| Insertion/withdrawal cycles mechanical | 50 |
| Contact connection method | Solder connection |
| Type of contacts | Socket |
| Application | Signal |
| Number of positions | 6 |
| Contact diameter of power contacts | 2 mm |
| Litz wire cross section of power contacts min. | 0.08 mm ² |
| Litz wire cross section of power contacts max. | 2.5 mm ² |
| Nominal current per power contact at 25°C | 20 A |
| Nominal voltage, power contact | 300 V |
| Rated surge voltage | 2.5 kV |
| Overvoltage category | II |
| Degree of pollution | 3 |
| Overvoltage category | II |
| Degree of pollution | 3 |

Cable connector - RC-06S1N12T0K5 - 1593961

Technical data

Housing data

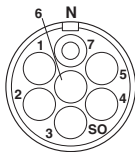
| | |
|--|---|
| Note | Order information: Order contact inserts and cable clamping/shield accessories separately |
| Housing material | Metal |
| Type of locking | Screw locking |
| Degree of protection (when plugged in) | IP67 |
| Thread type | M23 |

Environmental Product Compliance

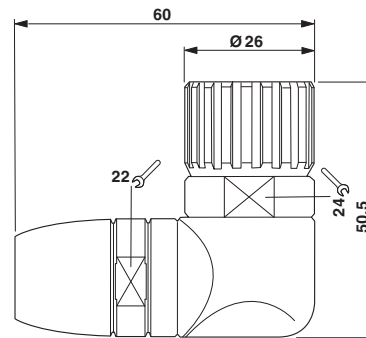
| | |
|------------|---|
| REACH SVHC | Lead 7439-92-1 |
| China RoHS | Environmentally Friendly Use Period = 50 |
| | For details about hazardous substances go to tab "Downloads", Category "Manufacturer's declaration" |

Drawings

Schematic diagram



Dimensional drawing



Approvals

Approvals

Approvals

EAC

Ex Approvals

Approval details

| | | |
|-----|--|---------|
| EAC | | B.01742 |
|-----|--|---------|

Phoenix Contact 2018 © - all rights reserved
<http://www.phoenixcontact.com>

PHOENIX CONTACT GmbH & Co. KG
Flachsmarktstr. 8
32825 Blomberg
Germany
Tel. +49 5235 300
Fax +49 5235 3 41200
<http://www.phoenixcontact.com>

Mouser Electronics

Authorized Distributor

Click to View Pricing, Inventory, Delivery & Lifecycle Information:

[Phoenix Contact:](#)

[1593961](#)