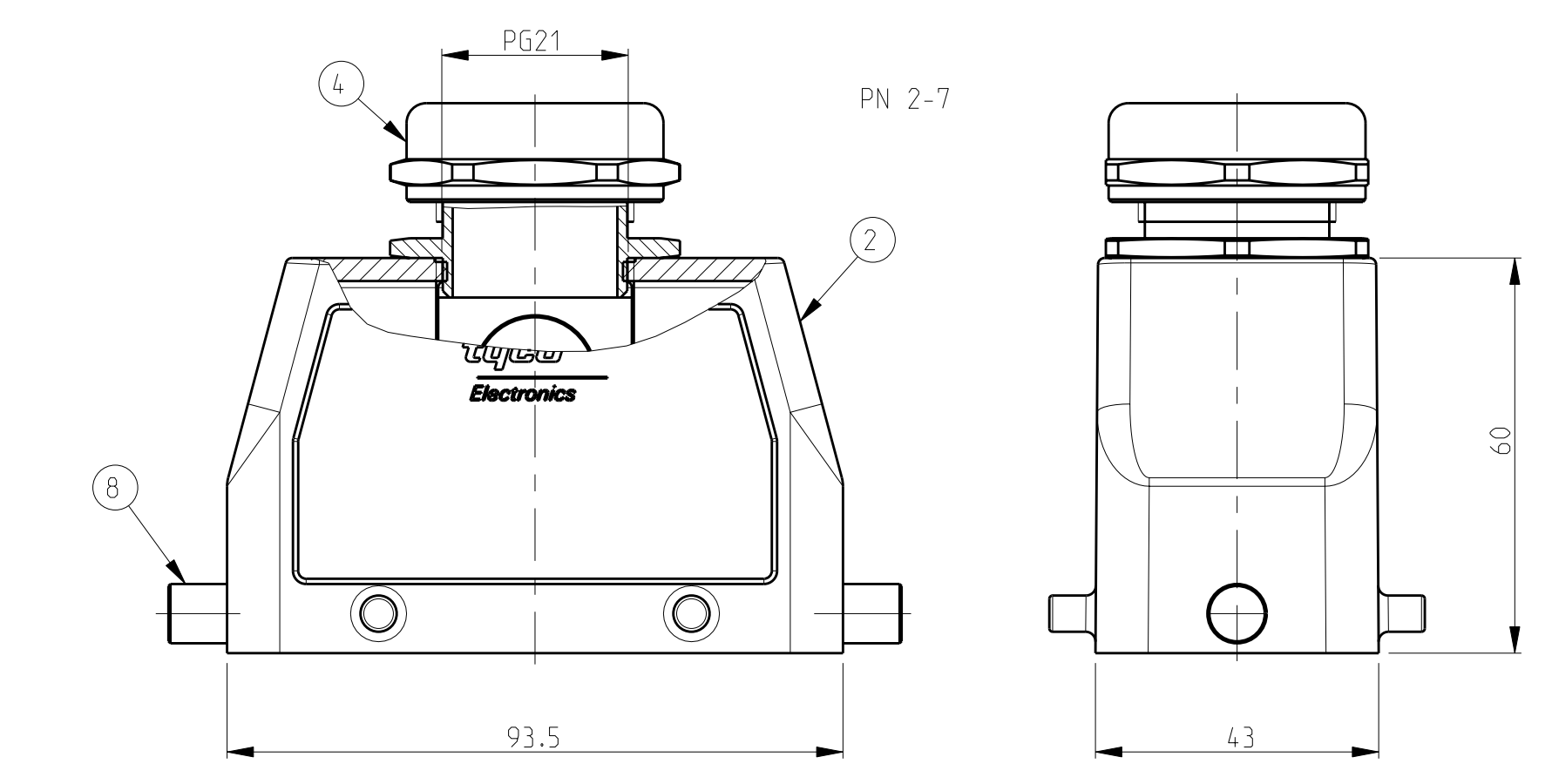
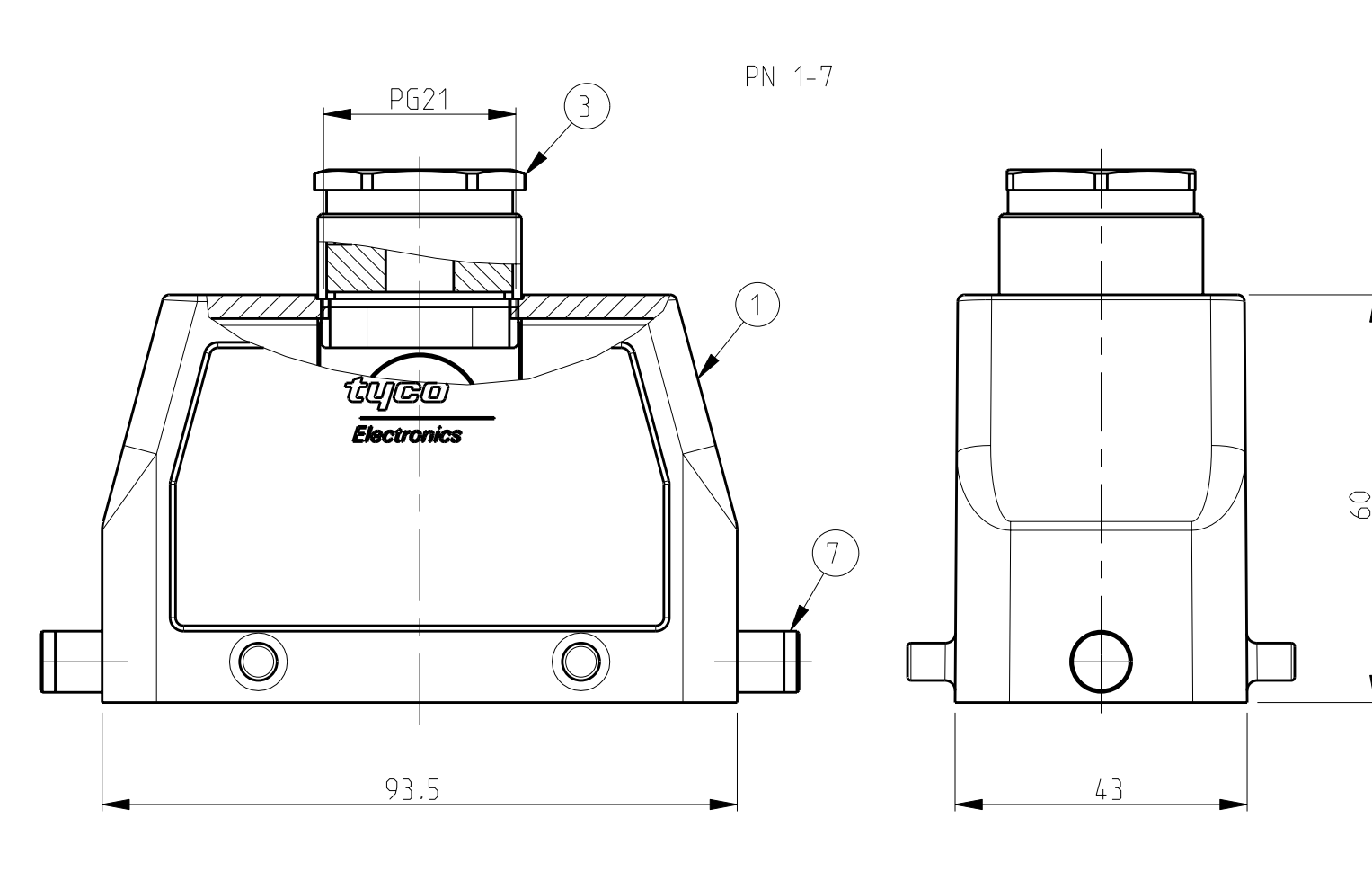
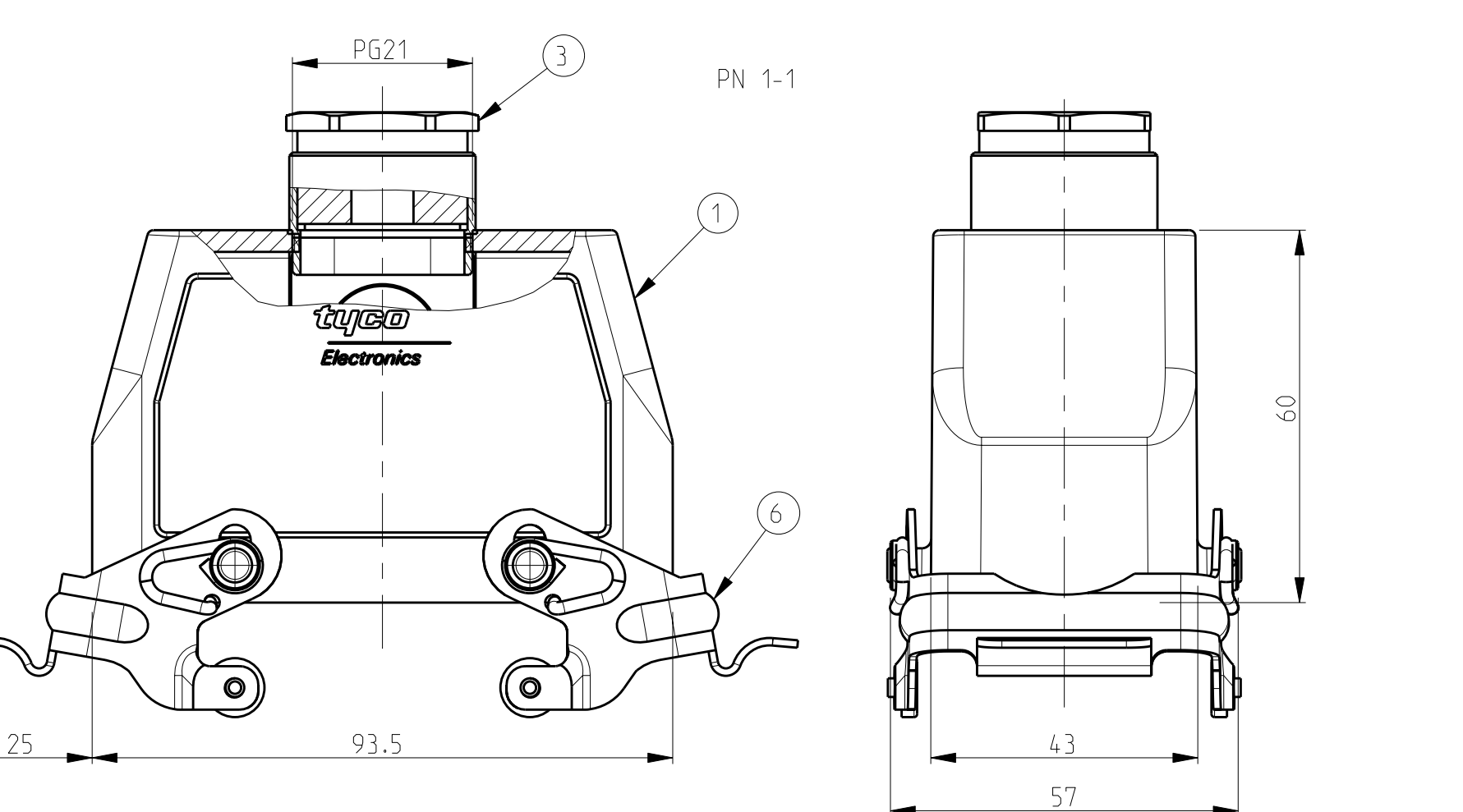
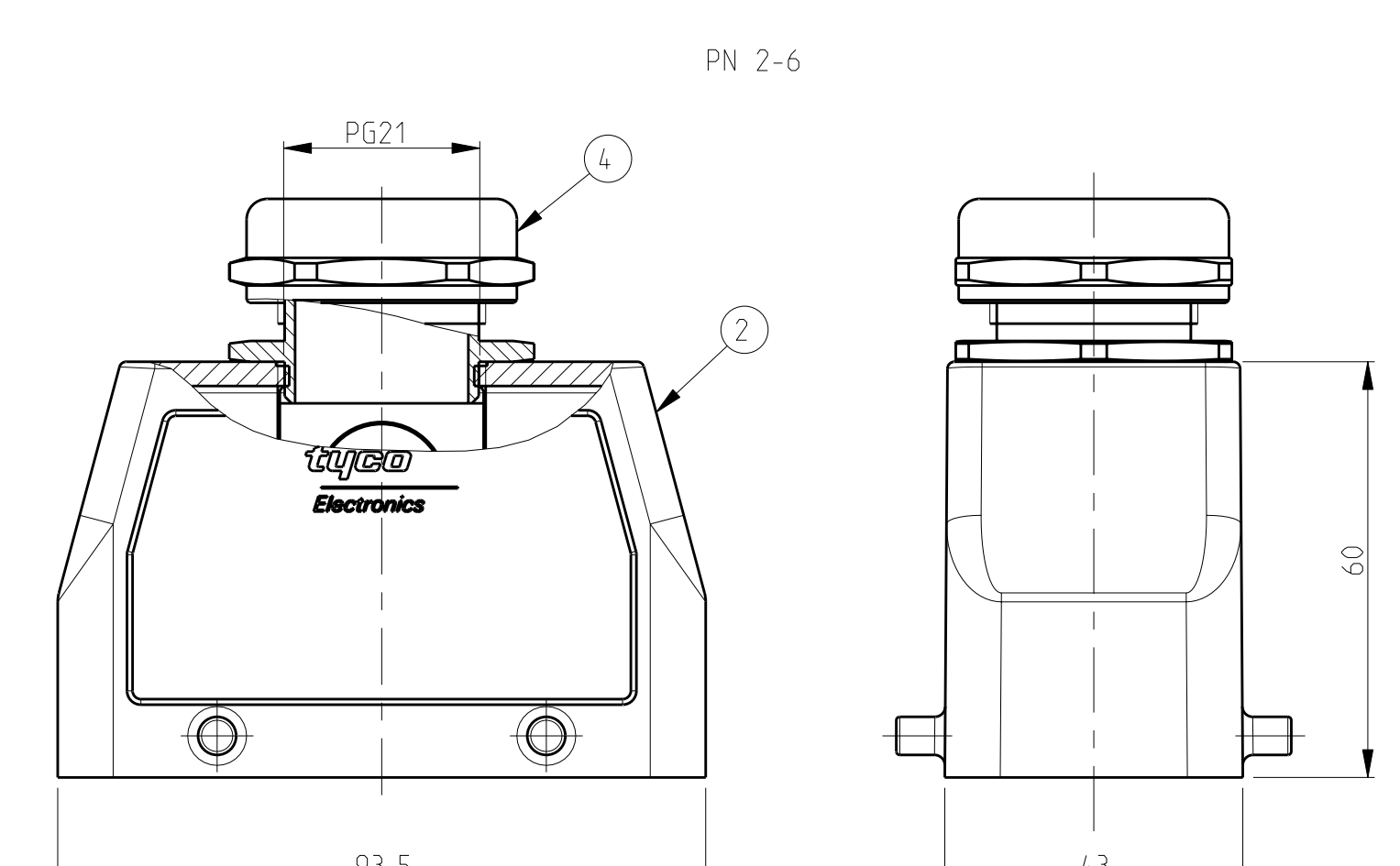
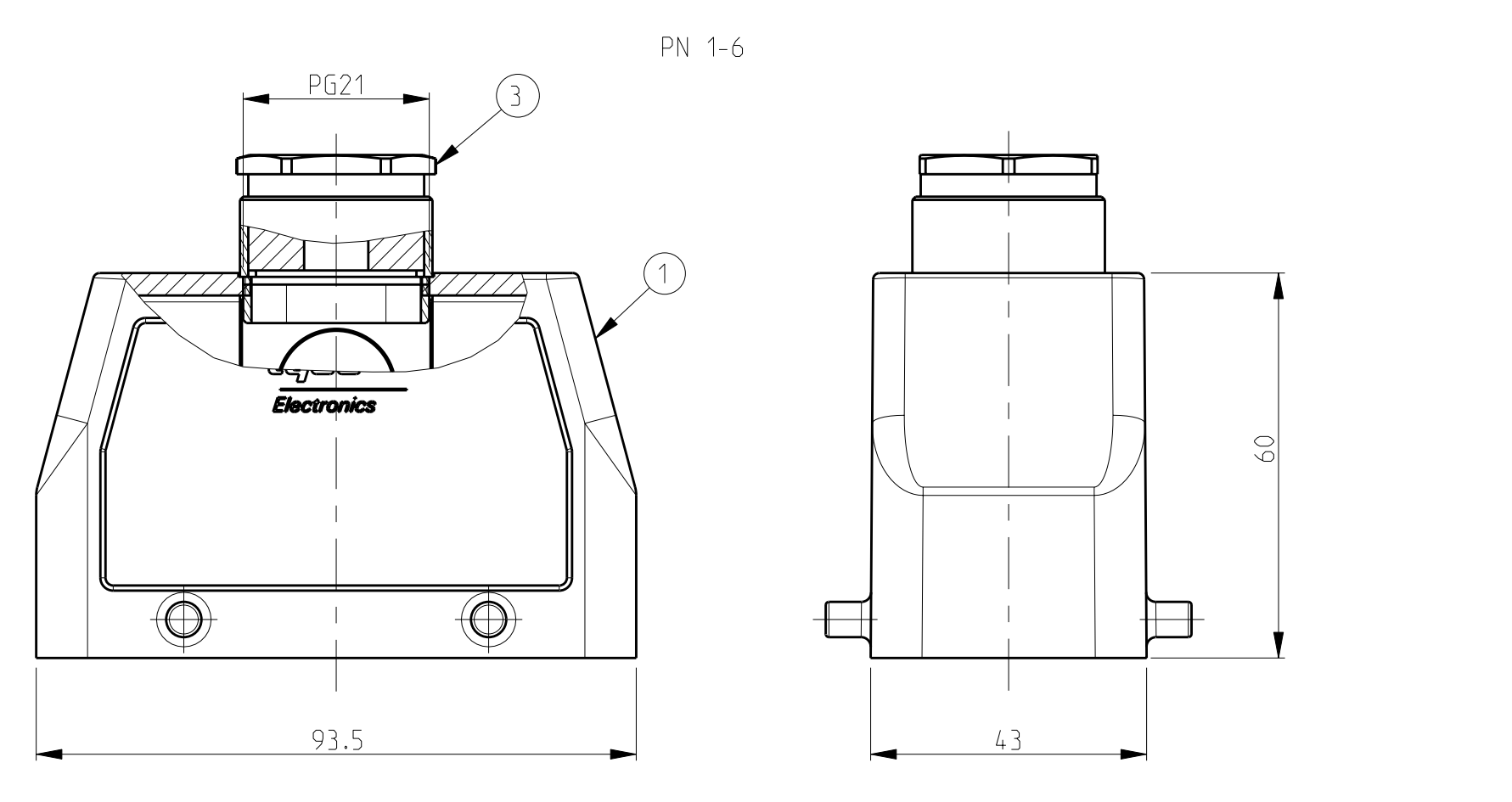
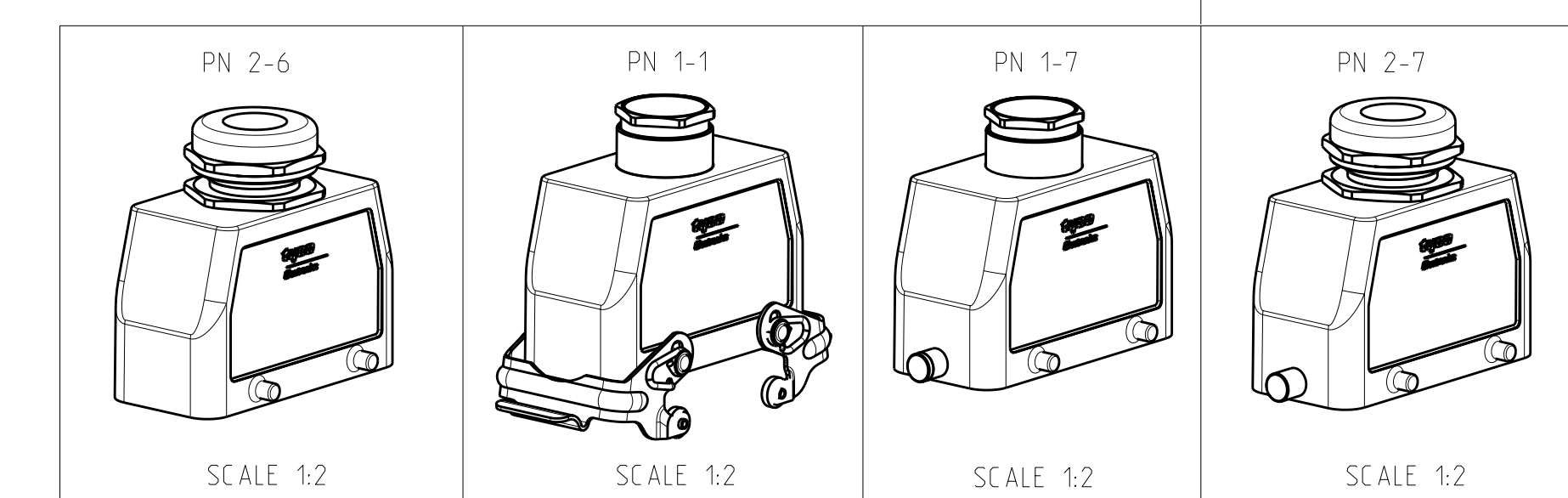
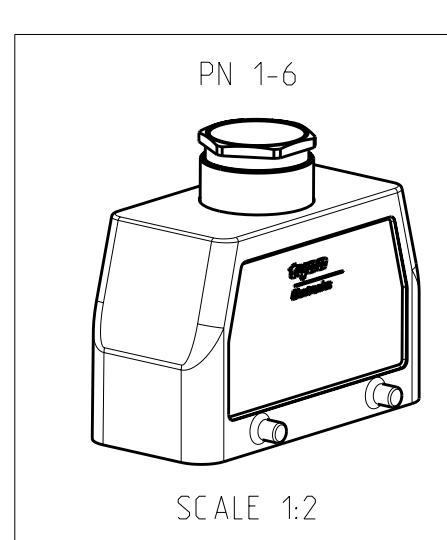


LOC	DIST	REVISIONS			
P	LTR	DESCRIPTION	DATE	DNW	APVD
A4		REVISED PER ECR-16-016768	24JAN2018	SRG	MKO



- NOTES
- Material: Housing: aluminium diecasting alloy
Seats: Neoprene
 - Surface:- Varnish grey
Aluminium oxide-Varnish Black
 - Varnish on the inside not necessary
 - Packaging
Packaging quantity 5 piece in a box



QTY	DESCRIPTION	MATERIAL	SURFACE	COLOR	ITEM NO	NOTES
2	LB-Clip bolt	Stainless steel			8	
2	LB-Clip bolt	Steel	Zinc plated	Blue	7	
2	VS-Locking clip	Steel	Zinc plated	Blue	6	
	VS-Clip bolt	Stainless steel			5	
	Gland fitting PG21	Brass	Zinc plated		4	
1	Cable connection round PG21	Brass	Zinc plated		3	
1	Hood HB.16 Pg.1.21	Aluminium	Aluminium oxide	Black	2	
1	Hood HB.16 Pg.1.21	Aluminium		Grey	1	

ORDERING TEXT
 HB.16.STO.1.21
 HB-K.16.STO.1.21
 HB.16.STO-VS.1.21
 HB.16.STO-GR.1.21

DIMENSIONS: mm 		TOLERANCES UNLESS OTHERWISE SPECIFIED: 0 - 1000 +0.05 1 - 1000 ±0.05 2 - 1000 ±0.05 3 - 1000 ±0.05 4 - 1000 ±0.05 ANGLES ±0.5°		DWN: Schneider 16.01.03 CHK: Schwegler 16.01.03 APVD: -		TE Connectivity	
MATERIAL: - FINISH: -		PRODUCT SPEC: 10B-74001 10B-74003 APPLICATION SPEC: 114-74001 114-74004		NAME: Hood HB.16.STO		SIZE: A1 CAGE CODE: 00779 DRAWING NO: C=1102293	
CUSTOMER DRAWING		WEIGHT: -		RESTRICTED TO: -		SCALE: 1:1 SHEET: 1 OF 1 REV: A4	

Mouser Electronics

Authorized Distributor

Click to View Pricing, Inventory, Delivery & Lifecycle Information:

[TE Connectivity:](#)

[2-1102293-6](#)