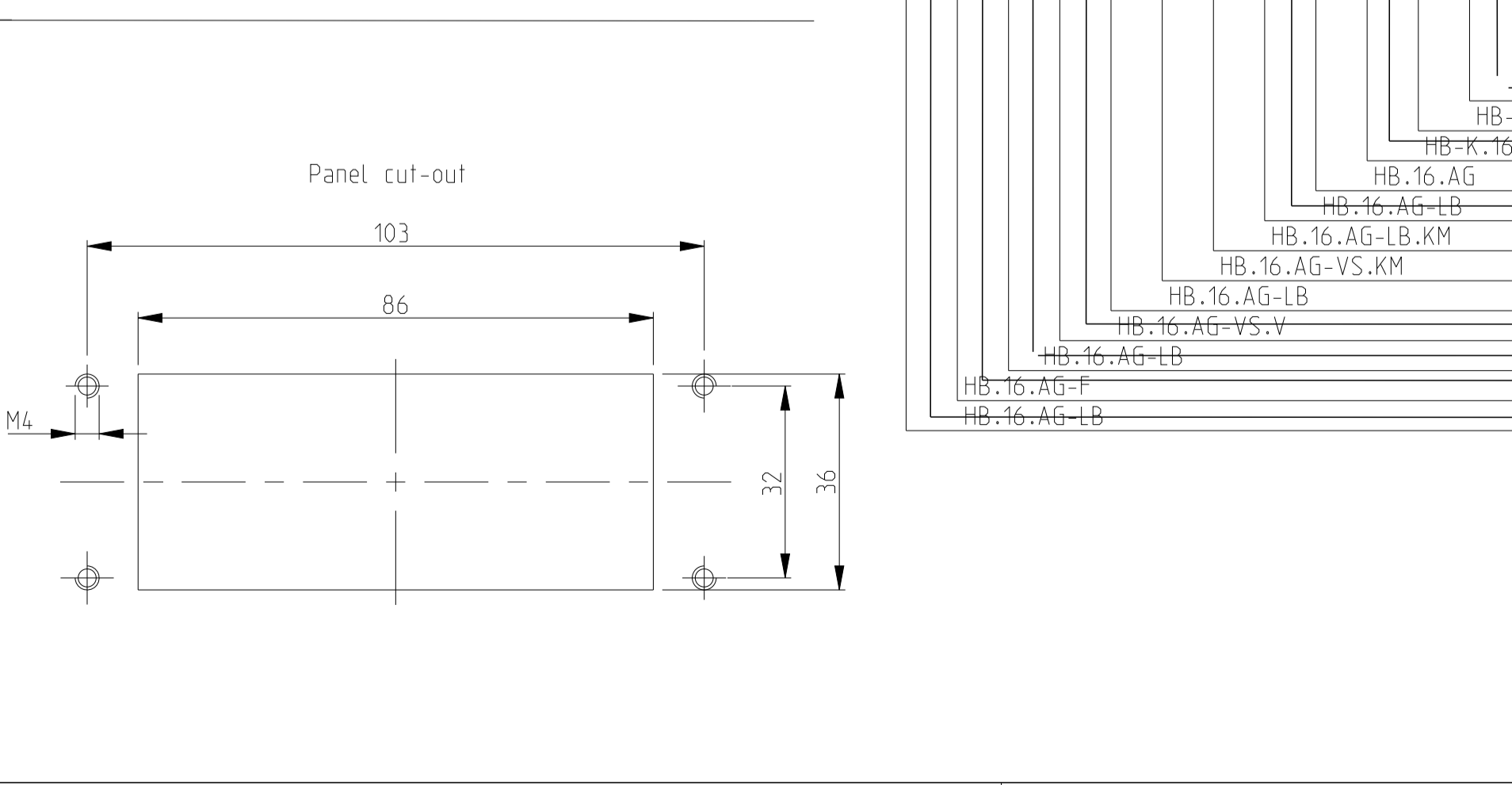
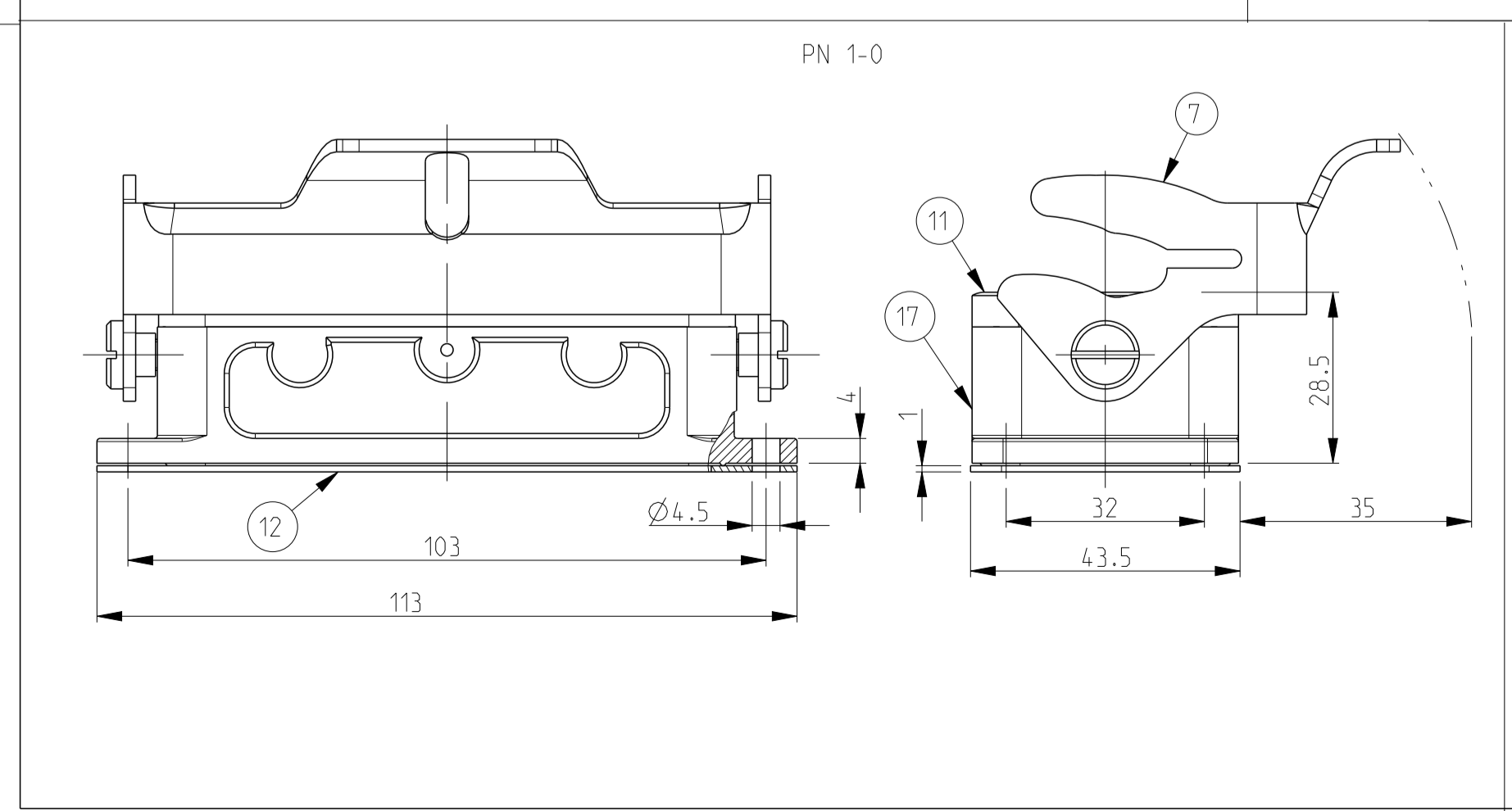
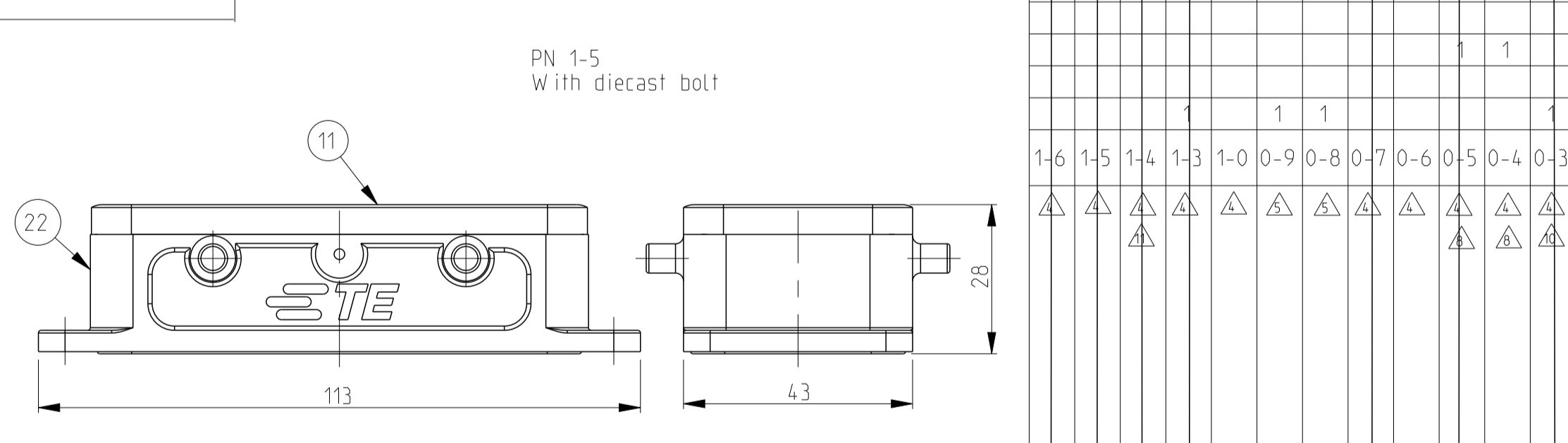
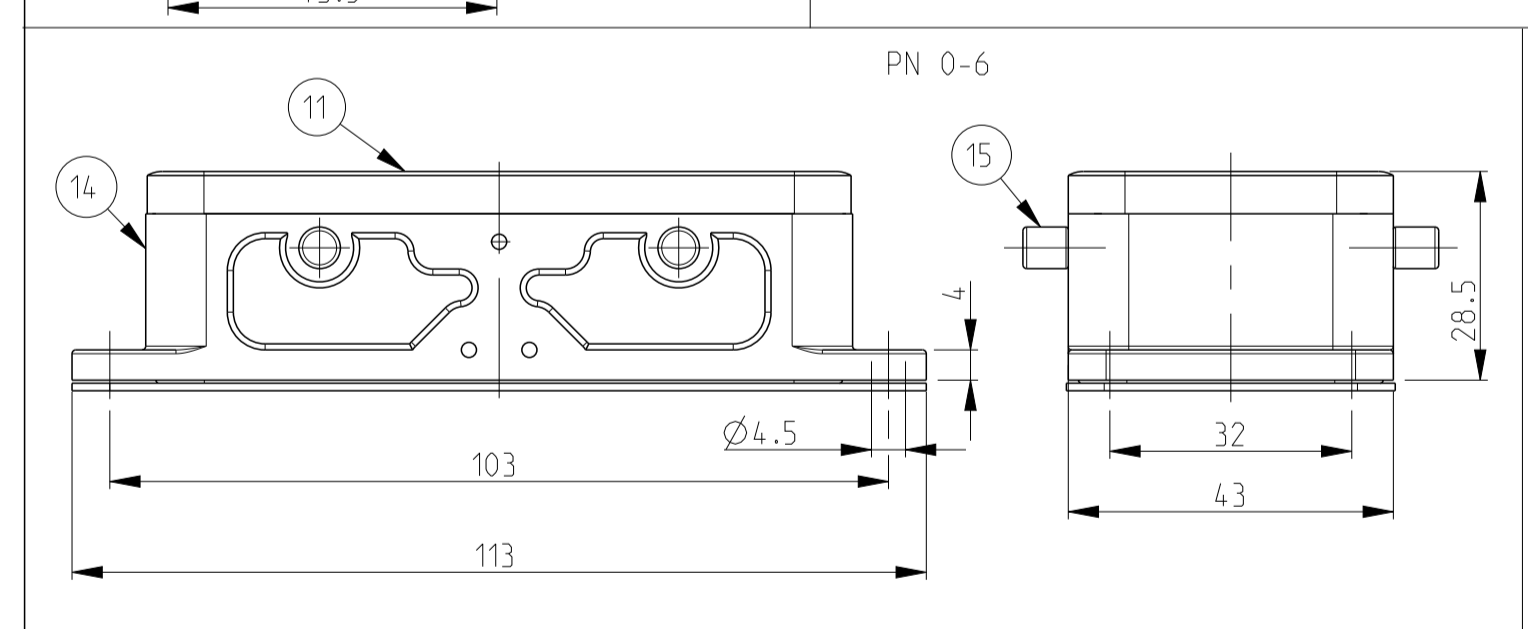
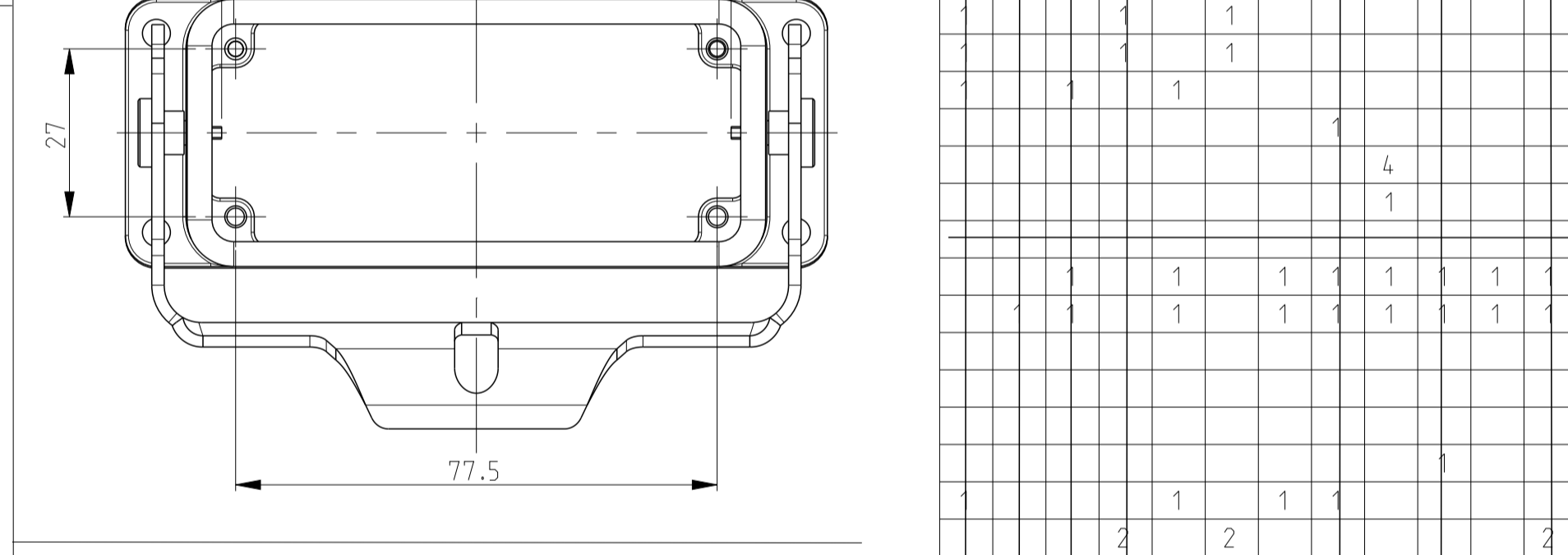
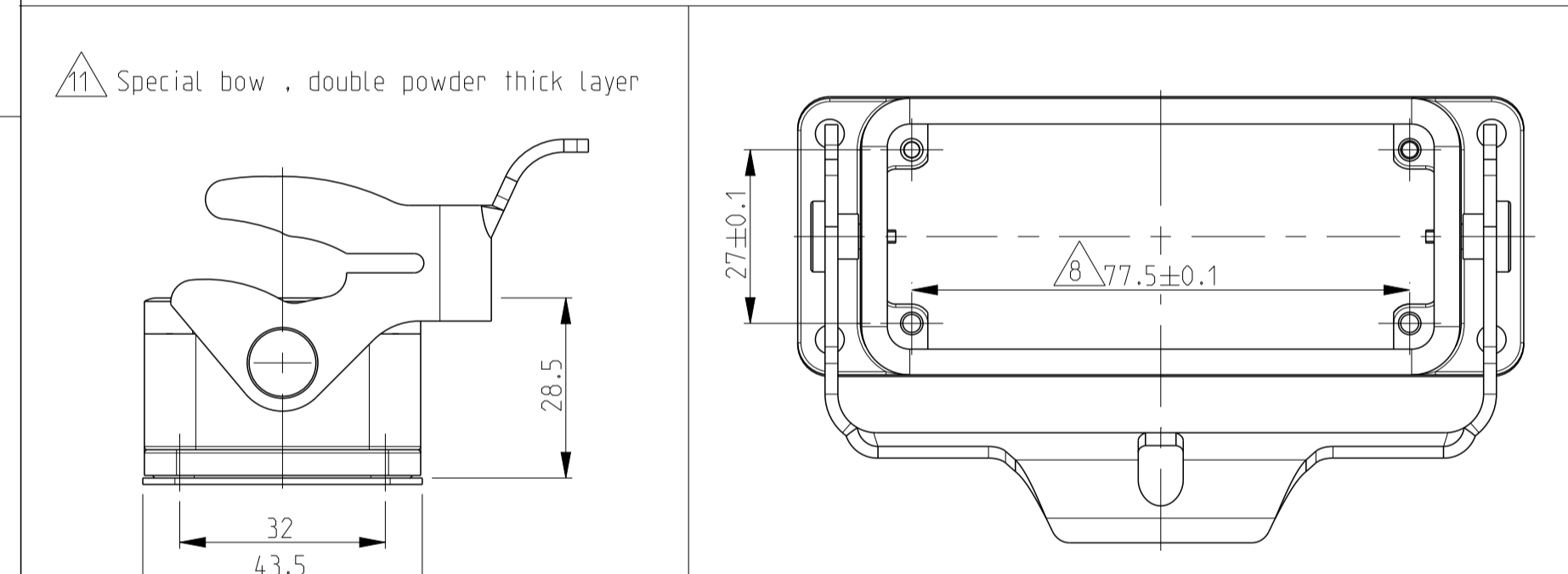


NOTES

- Material: Housing aluminium diecasting alloy
Seals: Neoprene : Viton
- Surface: Varnish Grey; Black
- Varnish on the inside not necessary
- Packaging quantity 5 pieces
- Packaging quantity 100 pieces
- Packaging quantity 150 pieces
- Only valid for PN 0-1:
couding device beveled on dimension 82
- Only valid for PN 0-4 and 0-5
Plat form beveled on dimension 72.5±0.1 both sides
- Only valid for PN 0-2
Seal loose attached
- Only valid for PN 0-3:
flange seal clued on
- Special side clip for Mitsubishi
powder coating for housing : 120-160 µm

REV	DATE	BY	CHK	APPV
C2	26OCT2017	GR	MKO	
C3	15NOV2017	GR	MKO	



QTY	DESCRIPTION	MATERIAL	SURFACE	COLOR	ITEM NO	NOTES
1	Surface mounted housing bottom entry HB	Aluminium		Grey RAL7001	22	With bolt
1	LB-Side clip	Steel	Zinc plated	Blue	21	
1	Surface mounted housing bottom entry HB	Aluminium		Grey 120-160 µm	20	
1	Flange seal	Viton		Black	19	
1	Profile seal	Viton		Grey	18	
1	Surface mounted housing bottom entry HB	Aluminium		Grey RAL7001	17	Neutral
1	Surface mounted housing bottom entry HB	Aluminium		Grey RAL7001	16	Without bolt
1	Clip bolt-HB	Steel	Zinc plated	Blue	15	
1	Surface mounted housing bottom entry HB	Aluminium		Grey RAL7001	14	
1					13	
1	Flange seal	Neoprene		Black	12	
1	Profile seal	Neoprene		Black	11	
1	ZB-Clip bolt	Stainless steel			10	
2	ZB-Clip bolt	Steel	Zinc plated	Blue	9	
1	LB-Side clip	Stainless steel			8	
1	LB-Side clip	Steel	Zinc plated	Blue	7	
1	VS-Locking clip	Stainless steel			6	
2	VS-Locking clip	Steel	Zinc plated	Blue	5	
1	Surface mounted housing bottom entry HB	Aluminium		With out varnish	4	
1	Surface mounted housing bottom entry HB-K	Aluminium	Aluminium oxide	Black RAL9005	3	
1	Surface mounted housing bottom entry HB-K	Aluminium		Black RAL9005	2	
1	Surface mounted housing bottom entry HB	Aluminium		Grey RAL7001	1	

THIS DRAWING IS A CONTROLLED DOCUMENT.

OWN: Schwegler 23.07.1997
CHK: Kramer 23.06.1998

DIMENSIONS: mm

TOLERANCES UNLESS OTHERWISE SPECIFIED:
mm: 0.10, 0.20, 0.30, 0.50, 1.00, 1.50, 2.00, 3.00, 4.00, 5.00, 6.00, 8.00, 10.00, 12.00, 15.00, 20.00, 25.00, 30.00, 40.00, 50.00, 60.00, 80.00, 100.00

PRODUCT SPEC: 108-74001/74003
APPLICATION SPEC: 114-74001/74004/74005

WEIGHT: 0.07779

CUSTOMER DRAWING

NAME: Surface Mounted housing Bottom Entry HB.16

SIZE: A1

CAGE CODE: 00779

DRAWING NO: C=1102296

RESTRICTED TO: 1

SCALE: 1:1

SHEET: 1 OF 1

REV: C.3

Mouser Electronics

Authorized Distributor

Click to View Pricing, Inventory, Delivery & Lifecycle Information:

[TE Connectivity:](#)

[1-1102296-0](#)