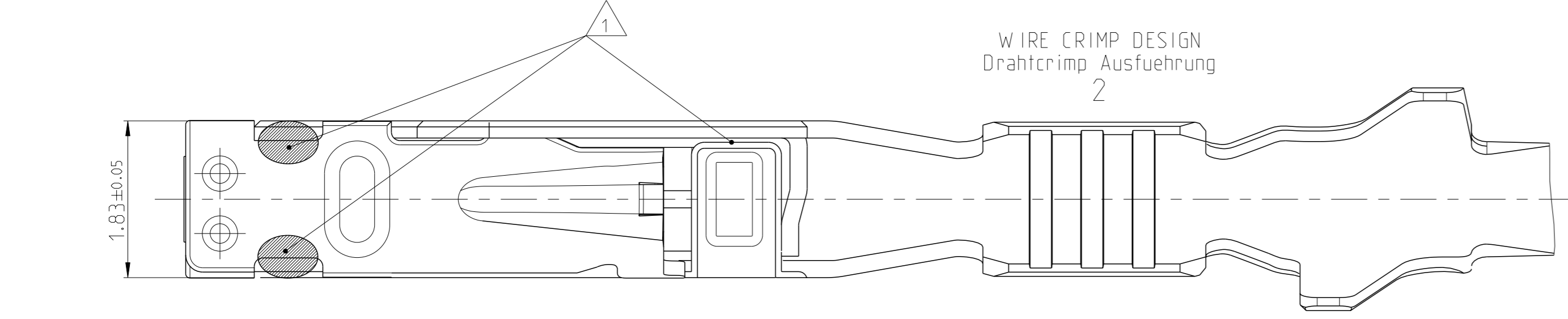
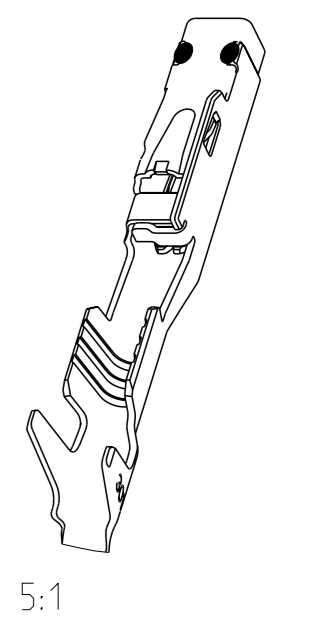
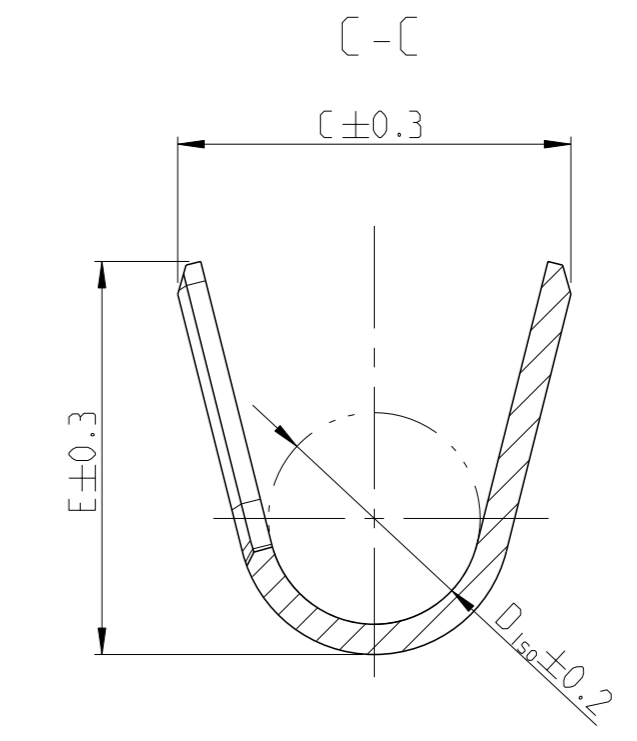
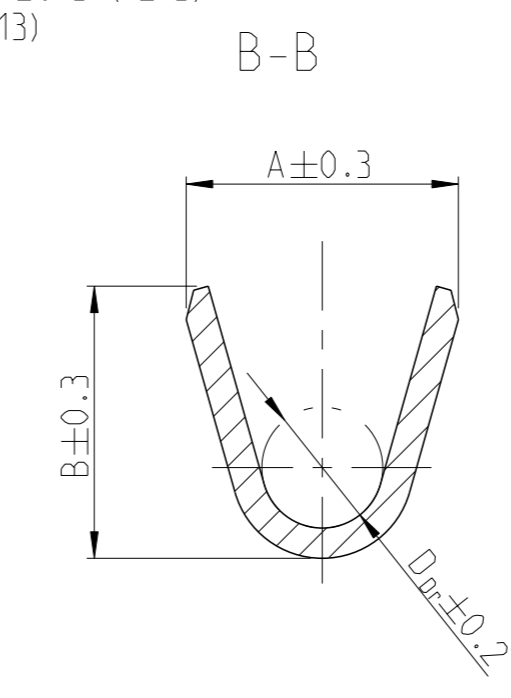
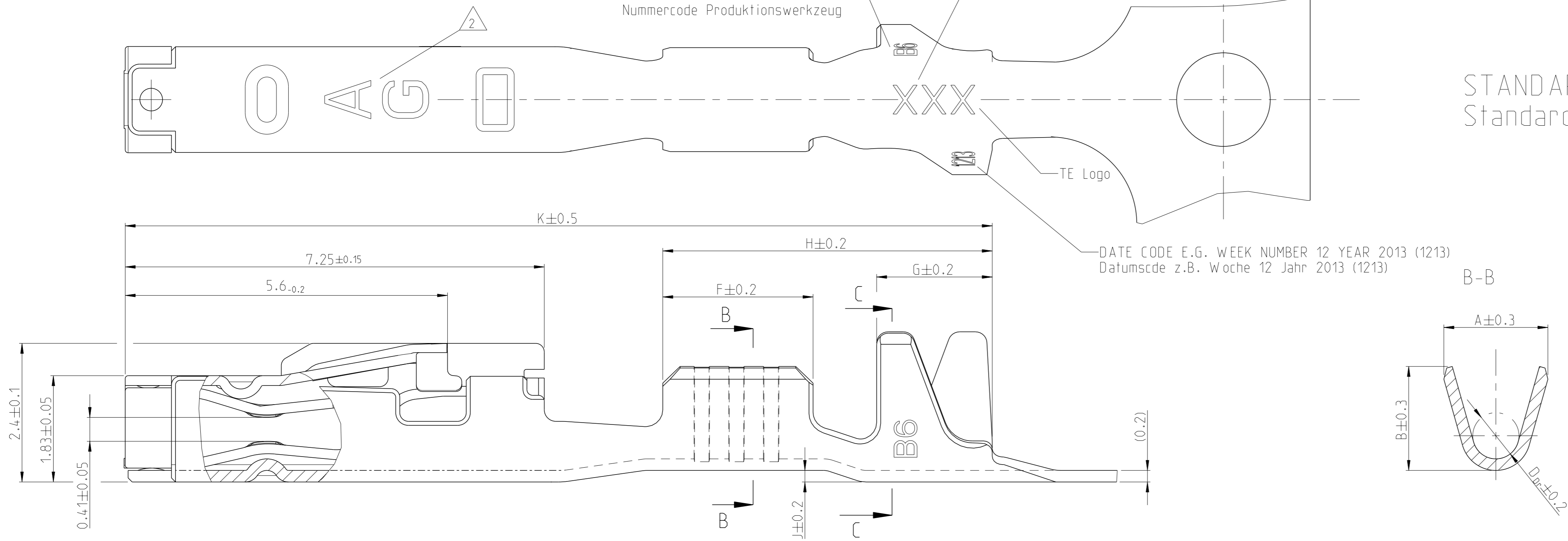


REVISION Aenderungsstand /
 NUMBER CODE PRODUCTION TOOL
 Nummernote Produktionswerkzeug

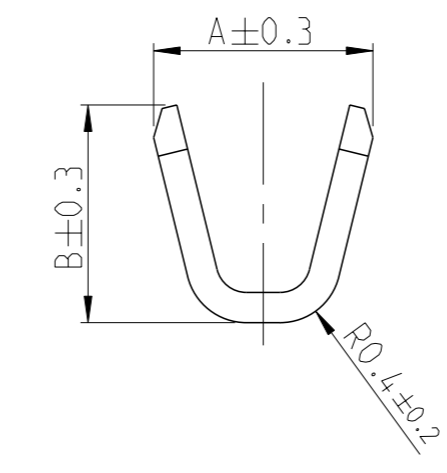
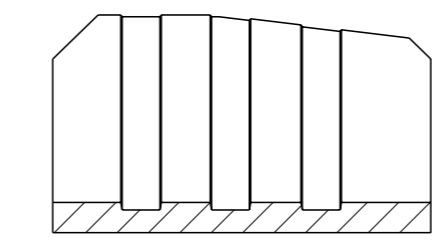
MANUFACTURING LOCATION CODE
 Kennzahl Produktionsstandort

STANDARD APPLICATION
 Standard Anwendung

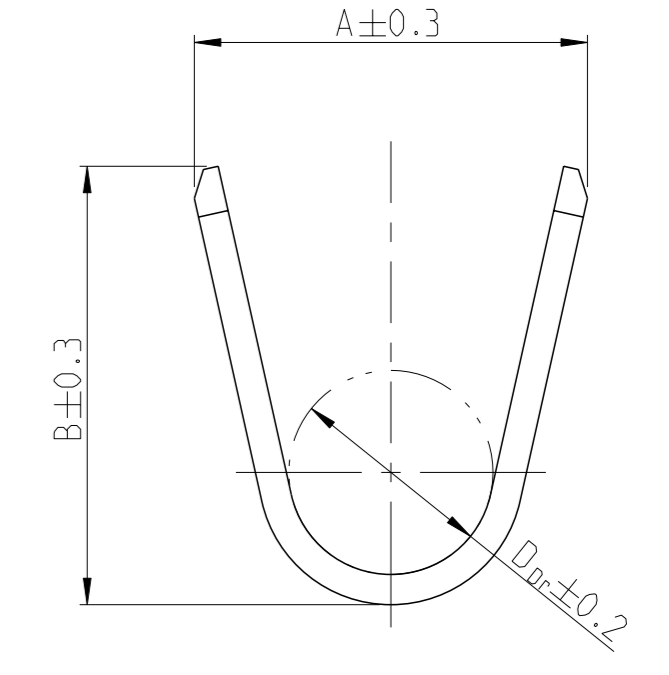
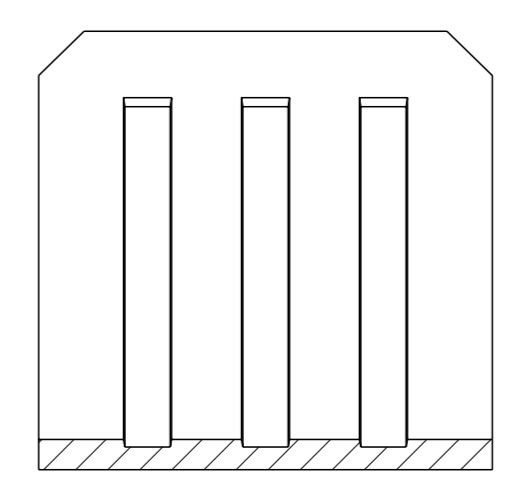


WIRE CRIMP DESIGN
 Drahtcrimp Ausfuehrung
 2

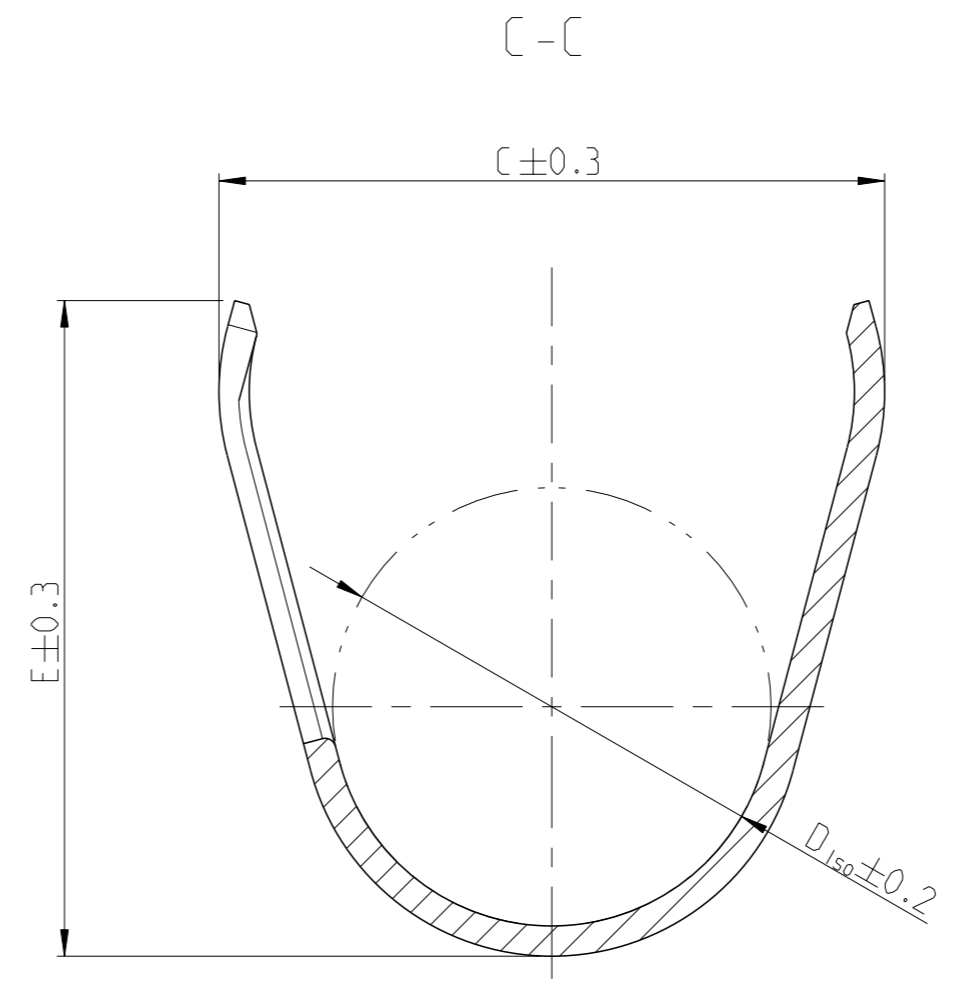
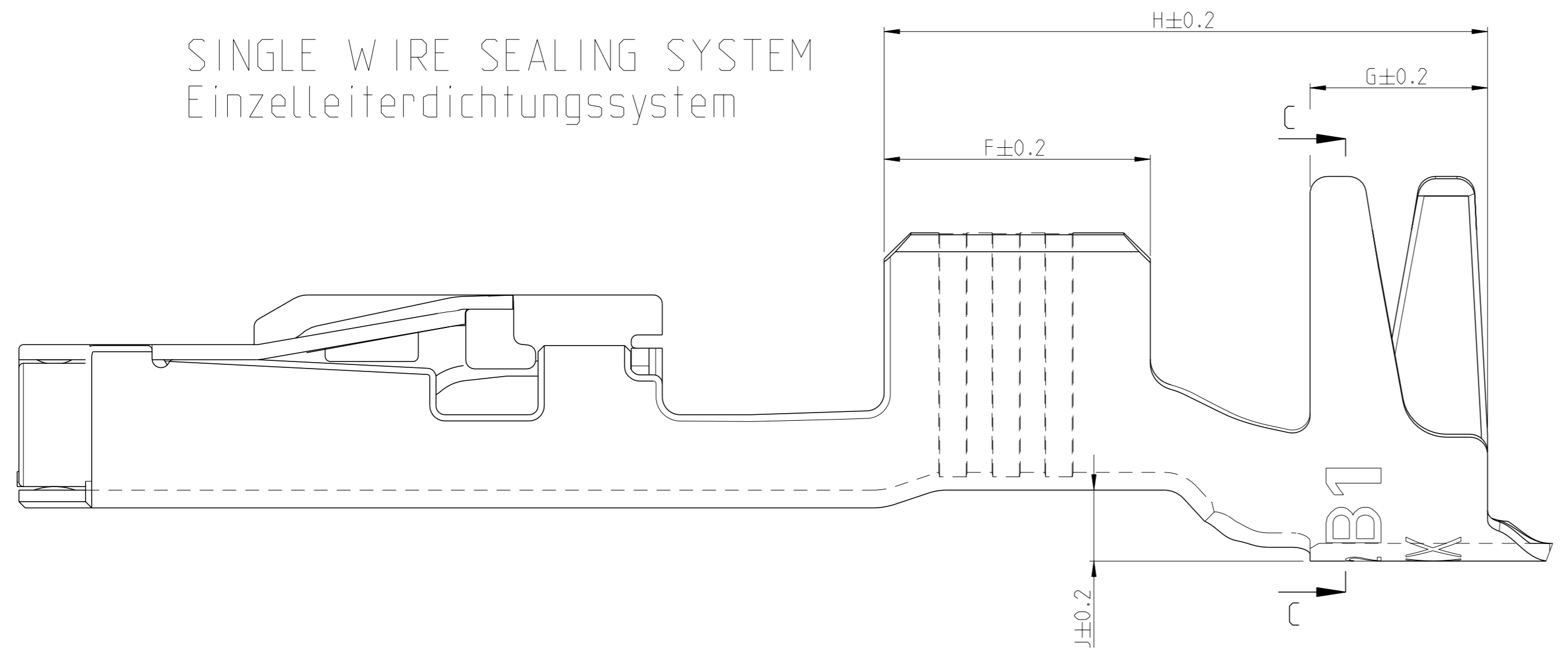
WIRE CRIMP DESIGN
 Drahtcrimp Ausfuehrung
 1



WIRE CRIMP DESIGN
 Drahtcrimp Ausfuehrung
 3



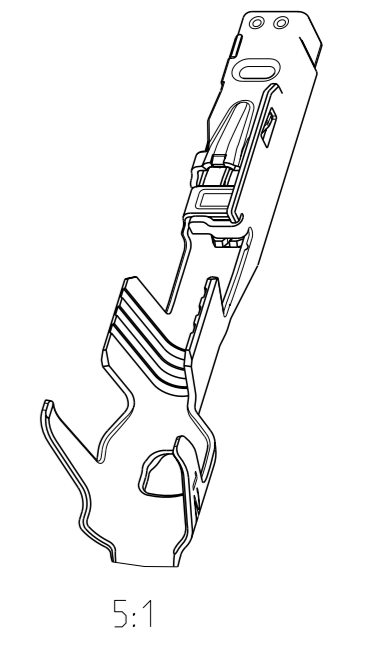
SINGLE WIRE SEALING SYSTEM
 Einzelleiterdichtungssystem



NOTES
 Bemerkungen

- 1 LASER WELDED
 Lasergeschweisst
- 2 STAMPED INDICATOR FOR PLATING:
 - AU GOLD PLATING
 - AG SILVER PLATING
 - TIN PLATING WITHOUT INDICATOR
 Markierung fuer galvanische Ausfuehrung:
 - AU vergoldet
 - AG versilbert
 - verzinkt: ohne Markierung

3 TO BE USED ON TAB
 1.2±0.1 x 0.6±0.03 MM
 geeignet fuer Flachstecker
 1.2±0.1 x 0.6±0.03 mm



THIS DRAWING IS A CONTROLLED DOCUMENT.		OWN E. Horn 11NOV2011	TE Connectivity	
DIMENSIONS: mm		CHK R. Meier 11NOV2011	NAME MCON 1.2 LL (LOCKING-LANCE)	
TOLERANCES UNLESS OTHERWISE SPECIFIED: ±0.2		APVD V. Seigel 11NOV2011	SIZE CAGE CODE DRAWING NO 00779 C=1452674	
MATERIAL		PRODUCT SPEC 108-18782	RESTRICTED TO	
FINISH		APPLICATION SPEC 114-18464	SCALE 20:1	
WEIGHT 0.18 g		SHEET 1 of 2		REV C7
Customer Drawing				

LOC	DIST	REVISIONS			
A1	-	REV	DATE	OWN	APVD
		1	SEE SHEET 1	-	-

VERSION / Ausführung	REV.	RANGE Bereich	INSULATION-Ø Isolations-Ø (mm)	AWG	mm ²	BODY Kontakt-körper	SPRING Kontakt-feder	BODY Kontakt-körper	SPRING Kontakt-feder	DESIGN WIRE-CRIMP Ausführung Draht-Crimp	WIRE CRIMP Drahtcrimp					INSULATION CRIMP Isolationscrimp					F	G	H	J	K	SINGLE WIRE SEAL FOR CAVITY DIAMETER	Einzeldichtung fuer Kammerdurchmesser TE NO.	BLINDPLUG ORDER NO. Blindstopfen Bestell-Nr.	APPLICATION TOOLS Verarbeitungswerkzeuge			
											A	B	D _{Dr}	C	E	D _{ISO}	A	B	C	E										D _{ISO}		
SINGLE WIRE SEAL / Einzeldichtung		2141970-3	A	0.13-	0.95-	-	0.13				7	1	1.5	1.4	-	4.0	3.9	2.6	2.5	1.9	6.2	0.6	16									
		2141970-2	A	0.22	0.95-	-	0.17				6	1	1.5	1.4	-	4.0	3.9	2.6	2.5	1.9	6.2	0.6	16									
		2141970-1	A	9	1.2	-	0.22				5	1	1.5	1.4	-	4.0	3.9	2.6	2.5	1.9	6.2	0.6	16									
		7-1452665-3	A	0.25-	1.1-	24	-				7	2	1.8	1.8	0.8	4.2	4.3	2.6	2.6	2.0	6.4	0.8	16									
		7-1452665-2	A	0.35	1.75	-	0.35				6	2	1.8	1.8	0.8	4.2	4.3	2.6	2.6	2.0	6.4	0.8	16									
		7-1452665-1	A	0.35	1.75	22	-				5	2	1.8	1.8	0.8	4.2	4.3	2.6	2.6	2.0	6.4	0.8	16									
		7-1452668-3	A	0.5-	1.4-	20	0.5				7	2	2.0	2.1	1.1	4.2	4.3	2.7	2.6	2.0	6.4	0.8	16									
		7-1452668-2	A	0.75	1.9	-	0.75				6	2	2.0	2.1	1.1	4.2	4.3	2.7	2.6	2.0	6.4	0.8	16									
		7-1452668-1	A	0.75	1.9	-	0.75				5	2	2.0	2.1	1.1	4.2	4.3	2.7	2.6	2.0	6.4	0.8	16									
		7-1452671-3	A	1-	1.9-	18	-				7	2	2.6	2.9	1.35	4.4	4.3	2.9	3.0	2.0	6.8	0.8	16.55									
		7-1452671-2	A	1.5	2.4	-	1				6	2	2.6	2.9	1.35	4.4	4.3	2.9	3.0	2.0	6.8	0.8	16.55									
		7-1452671-1	A	1.5	2.4	-	1.5				5	2	2.6	2.9	1.35	4.4	4.3	2.9	3.0	2.0	6.8	0.8	16.55									
STANDARD APPLICATION Standardanwendung		2141861-3	A	0.13-	0.95-	-	0.13				7	1	1.5	1.4	-	2.0	1.9	1.1	2.5	1.7	5.4	0	15									
		2141861-2	A	0.22	0.95-	-	0.17				6	1	1.5	1.4	-	2.0	1.9	1.1	2.5	1.7	5.4	0	15									
		2141861-1	A	9	1.2	-	0.22				5	1	1.5	1.4	-	2.0	1.9	1.1	2.5	1.7	5.4	0	15									
		7-1452653-3	A	0.25-	1.1-	24	-				7	2	1.8	1.8	0.8	2.6	2.6	1.4	2.6	2.0	5.7	0.2	15									
		7-1452653-2	A	0.35	1.75	-	0.35				6	2	1.8	1.8	0.8	2.6	2.6	1.4	2.6	2.0	5.7	0.2	15									
		7-1452653-1	A	0.35	1.75	22	-				5	2	1.8	1.8	0.8	2.6	2.6	1.4	2.6	2.0	5.7	0.2	15									
		7-1452656-3	A	0.5-	1.4-	20	0.5				7	2	2.0	2.1	1.1	2.7	2.9	1.6	3.0	2.0	6.1	0.2	16									
		7-1452656-2	A	0.75	1.9	-	0.75				6	2	2.0	2.1	1.1	2.7	2.9	1.6	3.0	2.0	6.1	0.2	16									
		7-1452656-1	A	0.75	1.9	-	0.75				5	2	2.0	2.1	1.1	2.7	2.9	1.6	3.0	2.0	6.1	0.2	16									
		7-1452659-3	A	1-	1.9-	18	-				7	2	2.6	2.9	1.35	3.7	3.9	2.1	3.0	2.0	6.1	0.2	16									
		7-1452659-2	A	1.5	2.4	-	1				6	2	2.6	2.9	1.35	3.7	3.9	2.1	3.0	2.0	6.1	0.2	16									
		7-1452659-1	A	1.5	2.4	-	1.5				5	2	2.6	2.9	1.35	3.7	3.9	2.1	3.0	2.0	6.1	0.2	16									

SEE APPLICATION SPEC. 114-18464
 siehe Verarbeitungsspez. 114-18464

7- VARIANTS FOR NEW APPLICATIONS


- NOTES
 Bemerkungen
- 4 ONLY FOR FLR-WIRE SEE DIN 72551, PART 6 AND AWG WIRE ACCORDING DC-SPEC: MS-8288 ; MS-7889 ; MS-9532
 Nur fuer FLR-Leitung nach DIN 72551, Teil 6 und AWG Leitung nach DC-SPEC: MS-8288 ; MS-7889 ; MS-9532
 - 5 PRE TIN SnAg 1.0 TO 3.0µm
 Vorverzinnt SnAg 1.0 bis 3.0µm
 - 6 SPRING GOLD PLATED MIN. 0.8µm (only contact area)
 Kontaktfeder galv. vergoldeft min.0.8µm (nur Kontaktzone)
 - 7 SPRING SILVER PLATED 2.0 TO 5.0µm (only contact area)
 Kontaktfeder galv. versilbert 2.0 bis 5.0µm (nur Kontaktzone)
 - 8 BODY PRE TIN Sn 1.0 TO 3.0µm
 Kontaktkoerper vorverzinnt Sn 1.0 bis 3.0µm
 - 9 REINFORCED WIRE ACCORDING TO LV 112-4
 Zugverstaerkte Leitung nach LV 112-4

VERSION / Ausführung	REV.	RANGE Bereich	INSULATION-Ø Isolations-Ø (mm)	AWG	mm ²	BODY Kontakt-körper	SPRING Kontakt-feder	BODY Kontakt-körper	SPRING Kontakt-feder	DESIGN WIRE-CRIMP Ausführung Draht-Crimp	WIRE CRIMP Drahtcrimp					INSULATION CRIMP Isolationscrimp					F	G	H	J	K	SINGLE WIRE SEAL FOR CAVITY DIAMETER	Einzeldichtung fuer Kammerdurchmesser TE NO.	BLINDPLUG ORDER NO. Blindstopfen Bestell-Nr.	APPLICATION TOOLS Verarbeitungswerkzeuge		
											A	B	D _{Dr}	C	E	D _{ISO}	A	B	C	E										D _{ISO}	
SINGLE WIRE SEAL / Einzeldichtung		0-1452665-3	B	0.25-	1.1-	-	0.25				7	2	1.8	1.8	0.8	4.2	4.3	2.6	2.6	2.0	6.4	0.8	16								
		0-1452665-2	B	0.35	1.75	24	-				6	2	1.8	1.8	0.8	4.2	4.3	2.6	2.6	2.0	6.4	0.8	16								
		0-1452665-1	B	0.35	1.75	22	-				5	2	1.8	1.8	0.8	4.2	4.3	2.6	2.6	2.0	6.4	0.8	16								
		0-1452668-3	C	0.5-	1.4-	20	0.5				7	2	2.0	2.1	1.1	4.2	4.3	2.7	2.6	2.0	6.4	0.8	16								
		0-1452668-2	C	0.75	1.9	-	0.75				6	2	2.0	2.1	1.1	4.2	4.3	2.7	2.6	2.0	6.4	0.8	16								
		0-1452668-1	C	0.75	1.9	-	0.75				5	2	2.0	2.1	1.1	4.2	4.3	2.7	2.6	2.0	6.4	0.8	16								
		0-1452671-3	B	1-	1.9-	18	-				7	3	2.6	2.9	1.35	4.4	4.3	2.9	3.0	2.0	6.8	0.8	16.55								
		0-1452671-2	B	1.5	2.4	-	1				6	3	2.6	2.9	1.35	4.4	4.3	2.9	3.0	2.0	6.8	0.8	16.55								
		0-1452671-1	B	1.5	2.4	-	1.5				5	3	2.6	2.9	1.35	4.4	4.3	2.9	3.0	2.0	6.8	0.8	16.55								
STANDARD APPLICATION Standardanwendung		0-1452653-3	B	0.25-	1.1-	24	-				7	2	1.8	1.8	0.8	2.6	2.6	1.4	2.6	2.0	5.7	0.2	15								
		0-1452653-2	B	0.35	1.75	-	0.35				6	2	1.8	1.8	0.8	2.6	2.6	1.4	2.6	2.0	5.7	0.2	15								
		0-1452653-1	B	0.35	1.75	22	-				5	2	1.8	1.8	0.8	2.6	2.6	1.4	2.6	2.0	5.7	0.2	15								
		0-1452656-3	C	0.5-	1.4-	20	0.5				7	2	2.0	2.1	1.1	2.7	2.9	1.6	3.0	2.0	6.1	0.2	16								
		0-1452656-2	C	0.75	1.9	-	0.75				6	2	2.0	2.1	1.1	2.7	2.9	1.6	3.0	2.0	6.1	0.2	16								
		0-1452656-1	C	0.75	1.9	-	0.75				5	2	2.0	2.1	1.1	2.7	2.9	1.6	3.0	2.0	6.1	0.2	16								
		0-1452659-3	B	1-	1.9-	18	-				7	3	2.6	2.9	1.35	3.7	3.9	2.1	3.0	2.0	6.1	0.2	16								
		0-1452659-2	B	1.5	2.4	-	1				6	3	2.6	2.9	1.35	3.7	3.9	2.1	3.0	2.0	6.1	0.2	16								
		0-1452659-1	B	1.5	2.4	-	1.5				5	3	2.6	2.9	1.35	3.7	3.9	2.1	3.0	2.0	6.1	0.2	16								

SEE APPLICATION SPEC. 114-18464
 siehe Verarbeitungsspez. 114-18464

0- VARIANTS SUPERSEDED BY 7- VARIANTS (SEE TABLE ON TOP)

THIS DRAWING IS A CONTROLLED DOCUMENT.

OWN E. Horn	11NOV2011	 TE Connectivity NAME MCON 1.2 LL (LOCKING-LANCE)
CHK R. Meier	11NOV2011	
APVD V. Seigel	11NOV2011	
PRODUCT SPEC		
108-18782	APPLICATION SPEC	SIZE A1
114-18464	WEIGHT	CAGE CODE 00779
Customer Drawing	SCALE	DRAWING NO. 1452674
	SHEET	RESTRICTED TO
	2 OF 2	REV C7

Mouser Electronics

Authorized Distributor

Click to View Pricing, Inventory, Delivery & Lifecycle Information:

[TE Connectivity:](#)

[2141861-1](#)