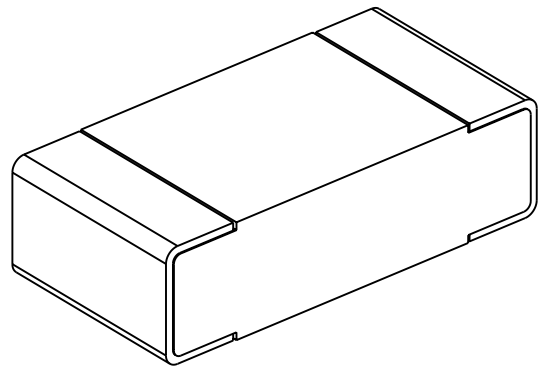
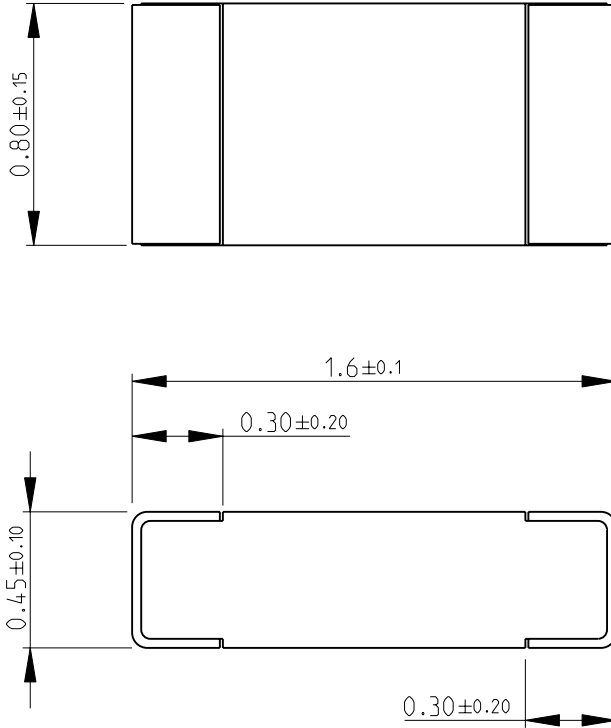


LOC	DIST	REVISIONS					
E	B	P	LTR	DESCRIPTION	DATE	DWN	APVD
			BA	NEW RELEASE	04-NOV-08	SM	St.P

FOR FURTHER INFORMATION SEE DATA SHEET FOR
CRG SERIES-THICK FILM CHIP RESISTORS



RoHS Compliant

2008

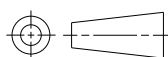
RELEASED FOR PUBLICATION

THIS DRAWING IS UNPUBLISHED.

BY TYCO ELECTRONICS CORPORATION. ALL RIGHTS RESERVED.



DIMENSIONS: mm	DWN	SUBHASH.M	04-NOV-08	MATERIAL	-	FINISH	-
	CHK	PRAKASH.S	04-NOV-08	Tyco Electronics Corporation Dorcan, Swindon, SN3 5HH			
TOLERANCES UNLESS OTHERWISE SPECIFIED:	APVD	STEPHEN.P	04-NOV-08				
0 PLC ±0.5	PRODUCT SPEC	NAME THICK FILM CHIP RESISTORS SERIES CRG 0603					
1 PLC ±0.2	APPLICATION SPEC						
2 PLC ±0.1	WEIGHT	SIZE CAGE CODE DRAWING NO RESTRICTED TO					
3 PLC ±-		A 4	00779	©= 1622935	-		
4 PLC ±-		CUSTOMER DRAWING SCALE 40:1 SHEET 1 OF 1 REV BA					
ANGLES ±5°							



Mouser Electronics

Authorized Distributor

Click to View Pricing, Inventory, Delivery & Lifecycle Information:

[TE Connectivity:](#)

[CRG0603F3K0](#)