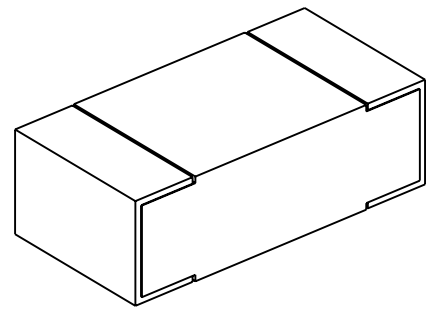


LOC	DIST	REVISIONS			
P	LTR	DESCRIPTION	DATE	DWN	APVD
E	B	BA	NEW RELEASE	14-NOV-08	SM St.P

FOR FURTHER INFORMATION SEE DATA SHEET FOR  
3640 SERIES-HIGH FREQUENCY INDUCTORS SMD



RoHS Compliant



2008

RELEASED FOR PUBLICATION

THIS DRAWING IS UNPUBLISHED.

BY TYCO ELECTRONICS CORPORATION. ALL RIGHTS RESERVED.

DIMENSIONS: mm	DWN SUBHASH.M	14-NOV-08	MATERIAL	-	FINISH	-
	CHK PRAKASH.S	14-NOV-08	Tyco Electronics Corporation Dorcan, Swindon, SN3 5HH			
TOLERANCES UNLESS OTHERWISE SPECIFIED:	APVD STEPHEN.P	14-NOV-08				
0 PLC ±0.2	PRODUCT SPEC	-	NAME HIGH FREQUENCY INDUCTORS SMD SERIES 3640 0402			
1 PLC ±0.1	APPLICATION SPEC	-				
2 PLC ±-	WEIGHT	-	SIZE	CAGE CODE	DRAWING NO	RESTRICTED TO
3 PLC ±-			A 4	00779	©- 1624108	-
4 PLC ±-			CUSTOMER DRAWING			
ANGLES ±5°			SCALE	50:1	SHEET	1 OF 1
						REV BA

# Mouser Electronics

Authorized Distributor

Click to View Pricing, Inventory, Delivery & Lifecycle Information:

[TE Connectivity:](#)

[36401E2N5ATDF](#)