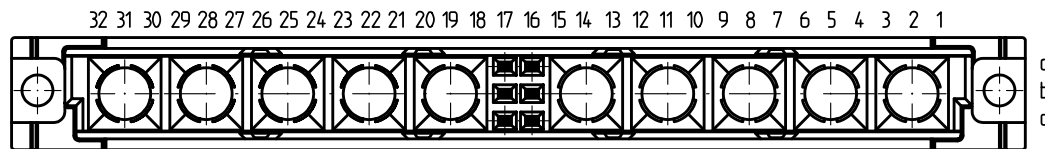
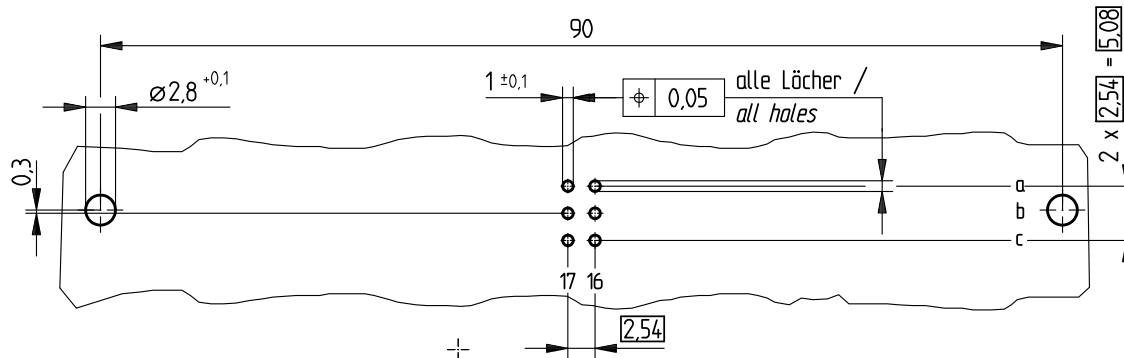


Bestückungsplan / contact layout



Leiterplatten-Lochbild / PCB drillhole pattern



Tauchlötaschluß 0,65 x 0,3 mm / solder terminal 0,65 x 0,3 mm

Isolierwerkstoff / housing material : PBT GF30

Bauart 7 / type 7

Anforderungsstufe 1 = 500 Steckzyklen / performance class = 500 mating cycles

Fehlende Maße und Angaben nach IEC 60 603-2 / DIN EN 60 603-2

Missing information and dimensions per IEC 60 603-2

Bedruckung siehe Zeichnung 294875

Marking see drawing 294875

Information: All rights reserved. Only for information. To insure that this is the latest version of this drawing, please contact one of the ERNI companies before using.	Tolerances	 All Dimensions in mm	Scale	2:1
	Subject to modification without prior notice. Drawing will not be updated.		Designation	
www.ERNI.com		Federleiste M 6-10 Fem. Connector M 6-10		
Index	Date	H:00065921.SZA	294712	I
			STVM	

Mouser Electronics

Authorized Distributor

Click to View Pricing, Inventory, Delivery & Lifecycle Information:

[ERNI Electronics:](#)

[294712](#)