

**Customer Part:**



**Description**

- Surface mount oscillator in a ceramic package with a hermetically sealed metal lid
- Model IQXO-71
- Model Issue number 11

**Frequency Parameters**

- Frequency 80.0MHz
- Frequency Stability ±100.00ppm
- Operating Temperature Range -10.00 to 70.00°C
- Ageing ±5ppm max in 1st year

**Electrical Parameters**

- Supply Voltage 3.3V ±0.3V
- Current Draw 40.000mA

**Output Details**

- Output Compatibility HCMOS
- Drive Capability 15pF max
- Rise and Fall Time 6.0ns max
- Duty Cycle 40/60%

**Output Control**

- Tri-state Operation:  
 Logic '1' (0.7Vs min) to pad 1 enables oscillator output  
 Logic '0' (0.3Vs max) to pad 1 disables oscillator output; when disabled the oscillator output goes to the high impedance state  
 No connection to pad 1 enables oscillator output

**Environmental Parameters**

- Shock: MIL-STD-202F, Method 213B: 1000G, 0.5ms, 1/2 sine
- Vibration: MIL-STD-202F, Method 204D, Test Condition D: 20G, frequency range 10-2000Hz 2hrs in 3 mutually perpendicular planes (total 6hrs)
- Storage Temperature Range: -55 to 125°C

**Manufacturing Details**

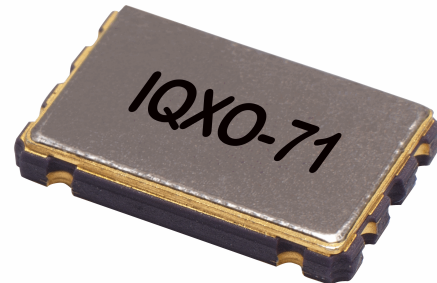
- RoHS Terminations NiAu
- RoHS Reflow Temp 260degC 10s

**Compliance**

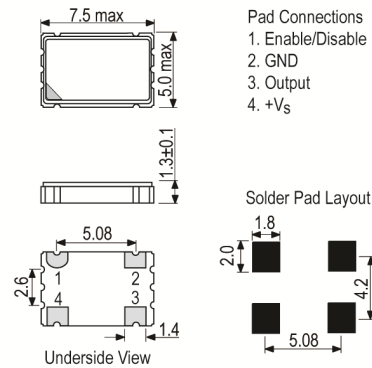
- RoHS Status (2015/863/EU) Compliant
- REACh Status Compliant
- MSL Rating (JDEC-STD-033): Not Applicable

**Packaging Details**

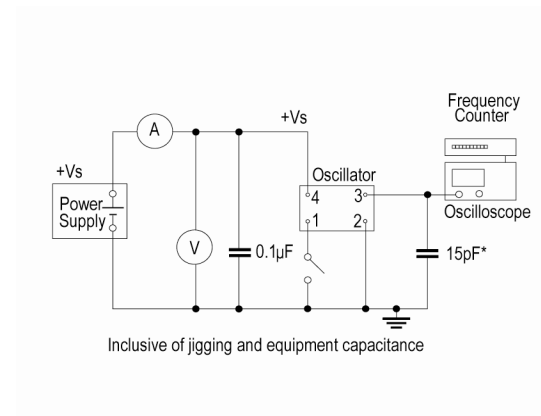
- Pack Style: Reel    Tape & reel in accordance with EIA-481  
 Standard Pack Quantity: 1,000
- *Alternative packing option available*



**Outline (mm)**



**Test Circuit**



**Sales Office Contact Details:**

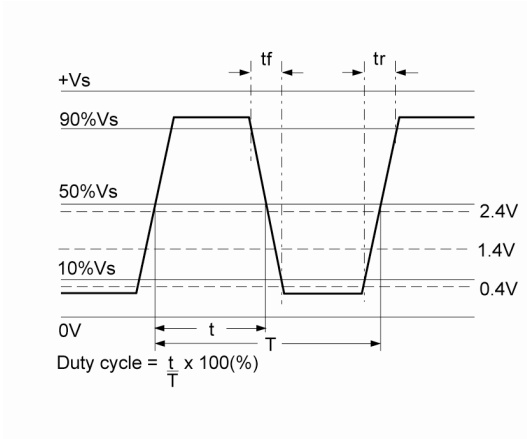
UK: +44 (0)1460 270200

Email: [info@iqdfrequencyproducts.com](mailto:info@iqdfrequencyproducts.com)

Web: [www.iqdfrequencyproducts.com](http://www.iqdfrequencyproducts.com)

**Customer Part:**

**Wave Form**



**Sales Office Contact Details:**

UK: +44 (0)1460 270200

Email: [info@iqdfrequencyproducts.com](mailto:info@iqdfrequencyproducts.com)

Web: [www.iqdfrequencyproducts.com](http://www.iqdfrequencyproducts.com)

# Mouser Electronics

Authorized Distributor

Click to View Pricing, Inventory, Delivery & Lifecycle Information:

[IQD Frequency Products:](#)

[LFSPX0016206Reel](#)