

**Customer Part:**



**Description**

- Surface mount oscillator in a ceramic package with a hermetically sealed metal lid
- Model IQXO-71
- Model Issue number 11

**Frequency Parameters**

- Frequency 12.2880MHz
- Frequency Stability  $\pm 100.00\text{ppm}$
- Operating Temperature Range  $-40.00$  to  $85.00^\circ\text{C}$
- Ageing  $\pm 5\text{ppm}$  max in 1st year

**Electrical Parameters**

- Supply Voltage  $3.3\text{V} \pm 0.3\text{V}$
- Current Draw 12.000mA

**Output Details**

- Output Compatibility HCMOS
- Drive Capability 15pF max
- Rise and Fall Time 6.0ns max
- Duty Cycle 45/55%

**Output Control**

- Tri-state Operation:  
 Logic '1' (0.7Vs min) to pad 1 enables oscillator output  
 Logic '0' (0.3Vs max) to pad 1 disables oscillator output; when disabled the oscillator output goes to the high impedance state  
 No connection to pad 1 enables oscillator output

**Environmental Parameters**

- Shock: MIL-STD-202F, Method 213B: 1000G, 0.5ms, 1/2 sine
- Vibration: MIL-STD-202F, Method 204D, Test Condition D: 20G, frequency range 10-2000Hz 2hrs in 3 mutually perpendicular planes (total 6hrs)
- Storage Temperature Range:  $-55$  to  $125^\circ\text{C}$

**Manufacturing Details**

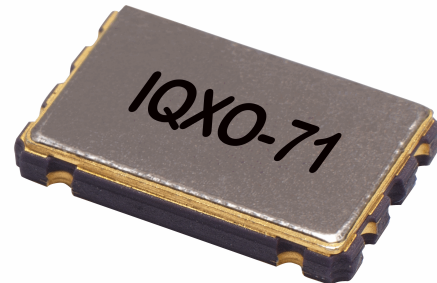
- RoHS Terminations NiAu
- RoHS Reflow Temp 260degC 10s

**Compliance**

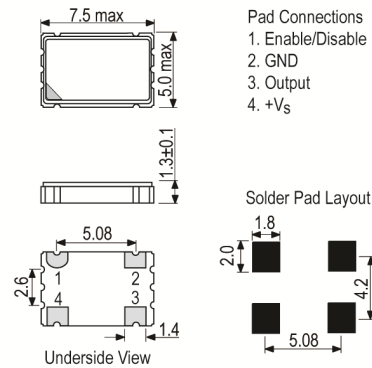
- RoHS Status (2015/863/EU) Compliant
- REACH Status Compliant
- MSL Rating (JDEC-STD-033): Not Applicable

**Packaging Details**

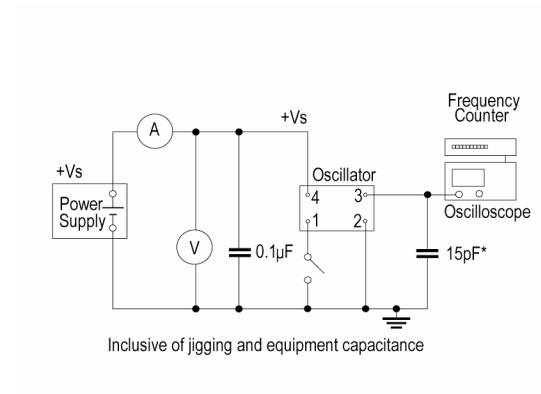
- Pack Style: Reel Tape & reel in accordance with EIA-481 Standard Pack Quantity: 1,000
- *Alternative packing option available*



**Outline (mm)**



**Test Circuit**



**Sales Office Contact Details:**

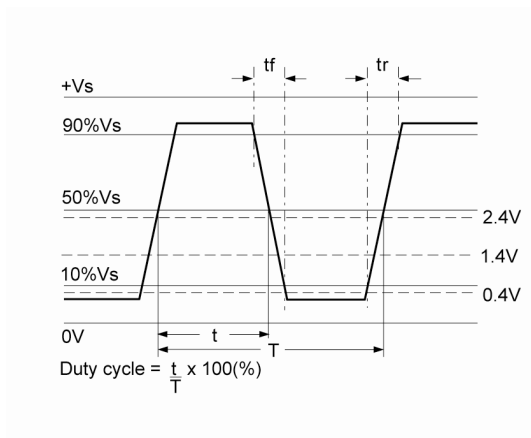
UK: +44 (0)1460 270200

Email: [info@iqdfrequencyproducts.com](mailto:info@iqdfrequencyproducts.com)

Web: [www.iqdfrequencyproducts.com](http://www.iqdfrequencyproducts.com)

Customer Part:

Wave Form



---

Sales Office Contact Details:

UK: +44 (0)1460 270200

Email: [info@iqdfrequencyproducts.com](mailto:info@iqdfrequencyproducts.com)

Web: [www.iqdfrequencyproducts.com](http://www.iqdfrequencyproducts.com)

# Mouser Electronics

Authorized Distributor

Click to View Pricing, Inventory, Delivery & Lifecycle Information:

[IQD Frequency Products:](#)

[LFSPX0017062Reel](#)