

Customer Part:

Description

- LVDS output SMD crystal oscillator
5 x 3.2mm ceramic package with a hermetically sealed metal lid
- Model IQXO-740
- Model Issue number 1

Frequency Parameters

- Frequency 100.0MHz
- Frequency Tolerance INCLUSIVE
- Frequency Stability ± 50.00 ppm
- Operating Temperature Range -40.00 to 85.00°C
- Ageing ± 3 ppm max per year @ 25°C

Electrical Parameters

- Supply Voltage 3.3V $\pm 5\%$
- Start up time: 10ms max

Output Details

- Output Compatibility LVDS
- Drive Capability 100 Ω
- Output Voltage Logic Low: 1.43V typical, 1.6V max
Output Voltage Logic High: 1.1V typical, 0.9V min
- Output Differential Voltage: 247mV to 454mV max, 350mV typical
- Output Offset Voltage: 1.125V to 1.375V max, 1.2V typical

Output Control

- Logic '1' to pad 1 (70%Vs min) enables oscillator outputs
Logic '0' to pad 1 (30%Vs max) disables oscillator outputs,
oscillator outputs go to the high impedance state
No connection to pad 1 enables oscillator outputs

Noise Parameters

- Phase Jitter (12kHz to 20MHz): 1ps rms max

Environmental Parameters

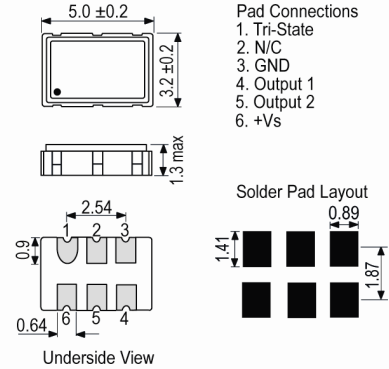
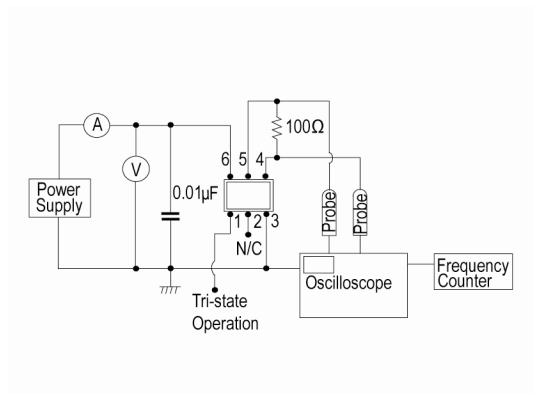
- Storage Temperature Range: -55 to 125°C
- Drop: 120cm drop (3 times) onto hard wooden board
- Vibration: MIL-STD-883, Method 2007, Test Condition A:
10Hz-55Hz-10Hz, 1.5mm amplitude, full sine, 2mins per cycle,
3 mutually perpendicular planes, 2hrs duration in each plane

Compliance

- RoHS Status (2015/863/EU) Compliant
- REACH Status Compliant
- MSL Rating (JDEC-STD-033): Not Applicable

Packaging Details

- Pack Style: Bulk Loose in bulk pack
Pack Size: 100
- *Alternative packing option available*

Outline (mm)

Test Circuit

Sales Office Contact Details:

 UK: +44 (0)1460 270200
 Germany: 0800 1808 443

 France: 0800 901 383
 USA: +1.760.318.2824

 Email: info@iqdfrequencyproducts.com
 Web: www.iqdfrequencyproducts.com

Mouser Electronics

Authorized Distributor

Click to View Pricing, Inventory, Delivery & Lifecycle Information:

[IQD Frequency Products:](#)

[LFSPXO056976Bulk](#)